

Michel's Universal 8" to 16" Auger Mounting instructions



Tools required to install;

- 9/16" Wrench
- 9/16" Socket and Ratchet
- 7/16" Wrench or Socket
- Drill and Drill Bits
- Wire Stripper
- Side Cutter
- Heat Gun
- Solder & Soldering Iron
- #1 Phillips Crew Driver
- Electrical Tape

***Please read entire Instructions before beginning!
Pictures are for reference only and may not be accurate to actual parts supplied!***

Michel's Industries, Ltd.

P.O. Box 119

St. Gregor, Saskatchewan

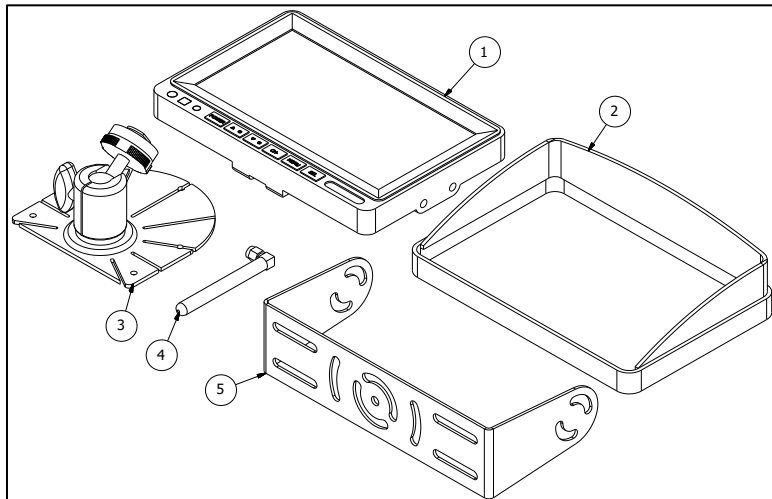
S0K 3X0 Canada

Ph# (306)366-2184 or Fax# (306)366-2145

0015-000130 - Fixed Channel (FC) Monitor

Includes:

1. Fixed Channel Monitor
2. Sunshade
3. Butterfly Monitor Mounting Base – Comes with Monitor
4. Wireless Antenna – Comes with Camera & Monitor
5. U-Shape Monitor Mounting Base – Comes with Monitor



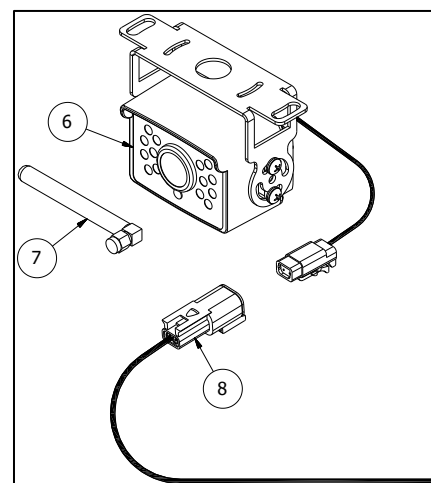
Note: This kit also includes mounting hardware and wiring not shown in picture.

0015-000107 - 1 FC Camera Kit - 5ft wire (No Arm)

0015-000108 - 1 FC Camera Kit - 18ft wire (No Arm)

0015-000109 - 1 FC Camera Kit - 50ft wire (No Arm)

6. FC Camera C/W Mount Bracket and Hardware must choose proper Camera Channel
 - a. 0015-000131 - Camera A Only w/connector (For FC Monitor)
 - b. 0015-000132 - Camera B Only w/connector (For FC Monitor)
 - c. 0015-000133 - Camera C Only w/connector (For FC Monitor)
 - d. 0015-000134 - Camera D Only w/connector (For FC Monitor)
7. Wireless Antenna – Comes with Camera
8. Wiring with Receptical
 - a. 0015-000040 - 18’ of wire
 - b. 0015-000041 - 50’ of wire
 - c. 0015-000042 - 5’ of wire

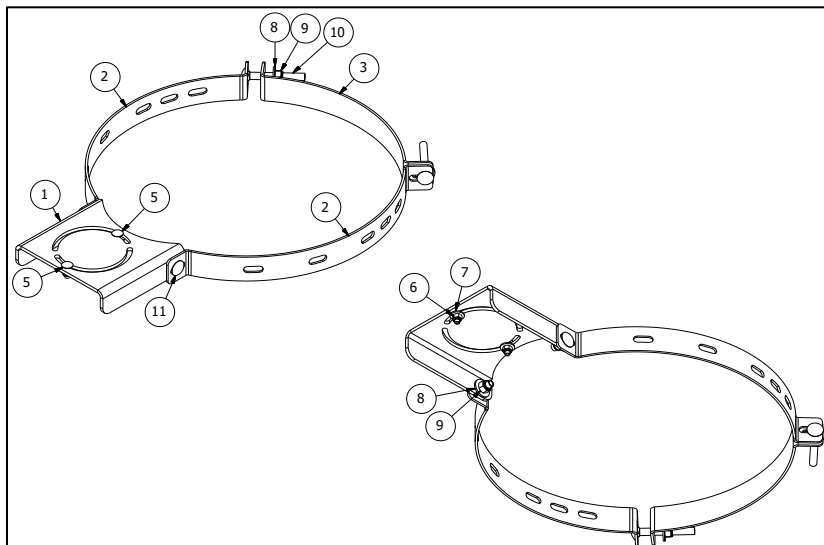


Note: This kit also includes mounting hardware.

0015-000110 - 8" -16" Grain Auger Kit C/W - 1 FC Monitor and 1 Camera (Complete Kit #)

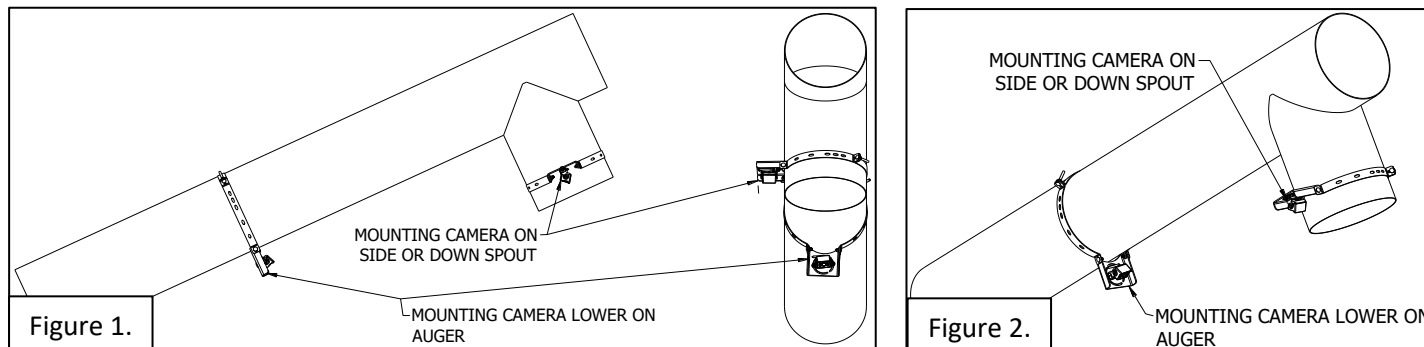
0015-000023 - Universal 8in to 16in Auger Mounting Kit - FC Series

1. 0015-000084 – Auger Mounting Plate
2. 0015-000083 – 8” to 16” Auger Bottom Strap
3. 0015-000082 – Top Cross Strap
5. 0105-009002 – ¼” x ¾” Carriage Head Bolt
6. 0100-001100 – ¼” Nylock Hex Nut
7. 0101-001000 – ¼” Flat Washer
8. 0101-001002 – 3/8” USS Flat Washer
9. 0100-001102 – 3/8” Nylock Hex Nut
10. 0105-009210 – 3/8” x 3” Carriage Head Bolt
11. 0105-009215 – 3/8” x 1” Carriage Head Bolt



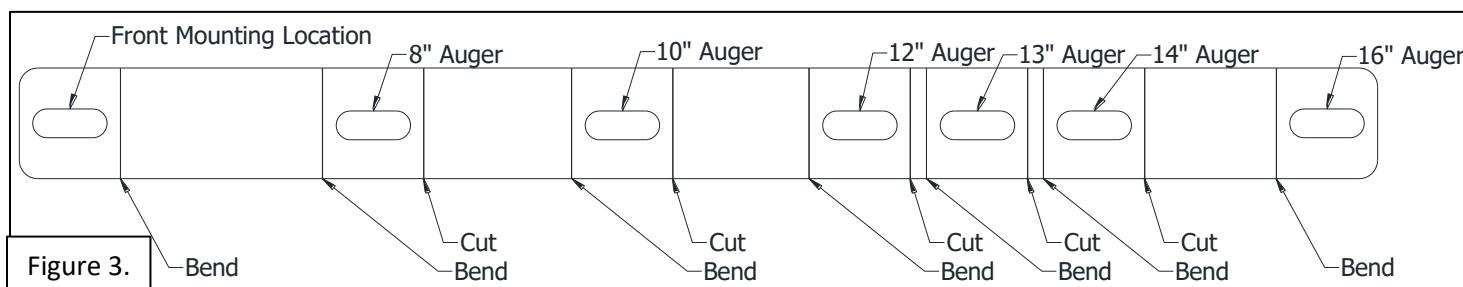
Step 1

Determine the location that you would like to install the camera. Michel's suggests a couple of different mounting options with this kit. The mounting hardware can be installed on the main auger tubing about 3' to 4' down from the spout. The second option is to mount the camera on the side of the down spout. Depending on what is important for you to watch, will determine the best mounting location of the camera. The lower mounting option gives a better front to back view of a trailer, while the spout mounted option gives a better view of the sides of the trailer. It is recommended to mount on the side of the spout if the intended use is for filling grain bins. This allows for better auger locating into the top of a bin loading hole. See Figures 1 & 2.



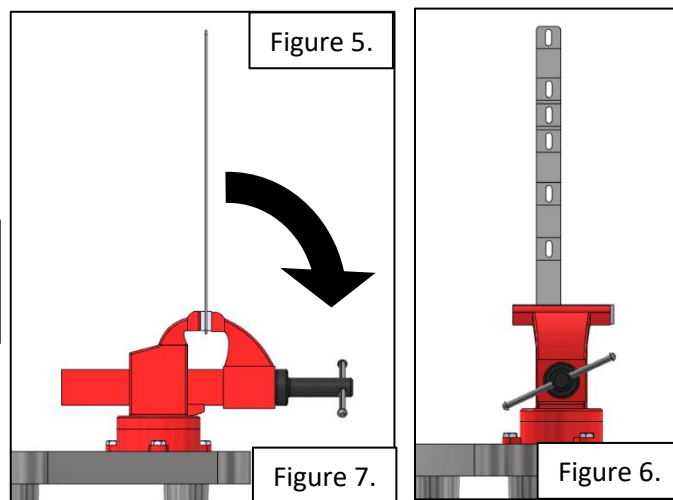
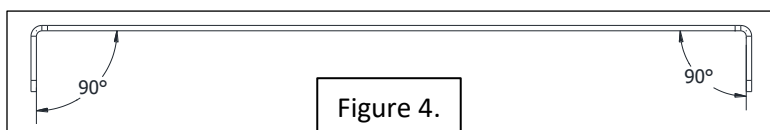
Step 2

This auger mounting kit is designed to work with 8", 10", 12", 13", 14", and 16" Augers. It is up to the person installing the kit to modify the mounting straps for the size of auger that it is being installed on. The Bottom straps will have to be cut and bent for the correct size auger. The strap should be cut on the etched line farthest from the Front Mounting Location next to the correct hole size that corresponds to the auger being used. See Figure 3.



Step 3

Clamp the strap in a vise with the etched line facing out and at the top of the vise jaws. Pull on the strap and bend towards the etched lines until the strap is at 90°. Turn the strap over and bend towards the etched lines on the other end 90°. See Figures 4-6.



Step 4

Take all three straps to the auger and roll them by hand around the auger tube. They should follow the contour of the auger tubing.

Step 5

Loosely install the camera into the Camera Mount Offset Bracket. (#4) Use 1/4" x 3/4" Carriage head bolts, Nylock Nuts and flat washers to install the Camera Bracket (#4) onto the Auger Mounting Plate (#1). Loosely install both Auger Bottom Straps (#2) onto the Auger Mounting Plate (#1)

Step 6

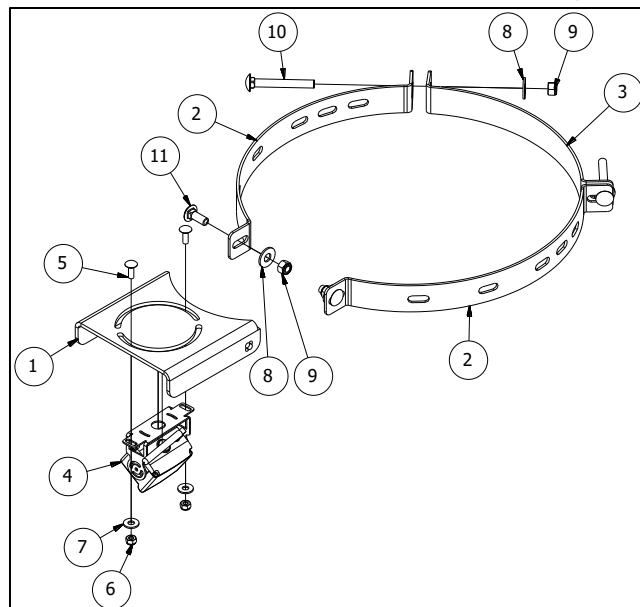
Take this assembly and the remaining Top Cross Strap (#2) and install it onto the auger in your preferred location. Use the long 3/8" Carriage Head bolts to tighten onto the auger. Once in the correct location, tighten all of the carriage head bolts that secure the Auger Mounting Plate (#1).

Step 7

Plug the supplied wire into the receptical at the camera. Run the wire from the camera down to the ignition of the auger. Find a 12vdc positive wire that is controlled with the ignition key.

Verify that this wire is switched on and off with the key. Connect the **BLACK** wire to the positive 12vdc switched auger wire. Connect the White wire to a good ground on the auger.

Note: The White wire is – (Negative Ground) and the **Black wire is + (Positive 12vdc).**

**Step 8**

With the Fixed Channel Monitor system, the Monitor will automatically connect each of the cameras. **Note:** There are 4 different camera channels available in this system. Each of the four cameras will be seen on a different channel of the monitor. Camera A will be seen on CAM1, Camera B will be seen on CAM2, Camera C will be seen on CAM3, and Camera D will be seen on CAM4. For more information on how to operate the Monitor and the cameras refer to the Monitor and Camera Instruction Manual. Mount the monitor inside the cab of the truck and plug it into a 12vdc socket.

Step 9

Once the Auger Mounting kit is mounting on the Auger in the desired position, the camera can be adjusted in 2 different directions. See Figure 8 & 9.

Direction 1. Loosen the two 1/4" carriage bolts that mount the Auger Mounting Plate. It can now be rotated Left and Right. See Figure 8. Bottom View of the camera.

Direction 2. Loosen the screws that mount the Camera to the Camera Mount Offset Bracket. This will rotate the Camera Up and Down. See Figure 9.

Adjust the camera to give the best view on the Monitor. It is suggested to have one person in the cab of the truck looking at the monitor and one person adjusting the camera.

