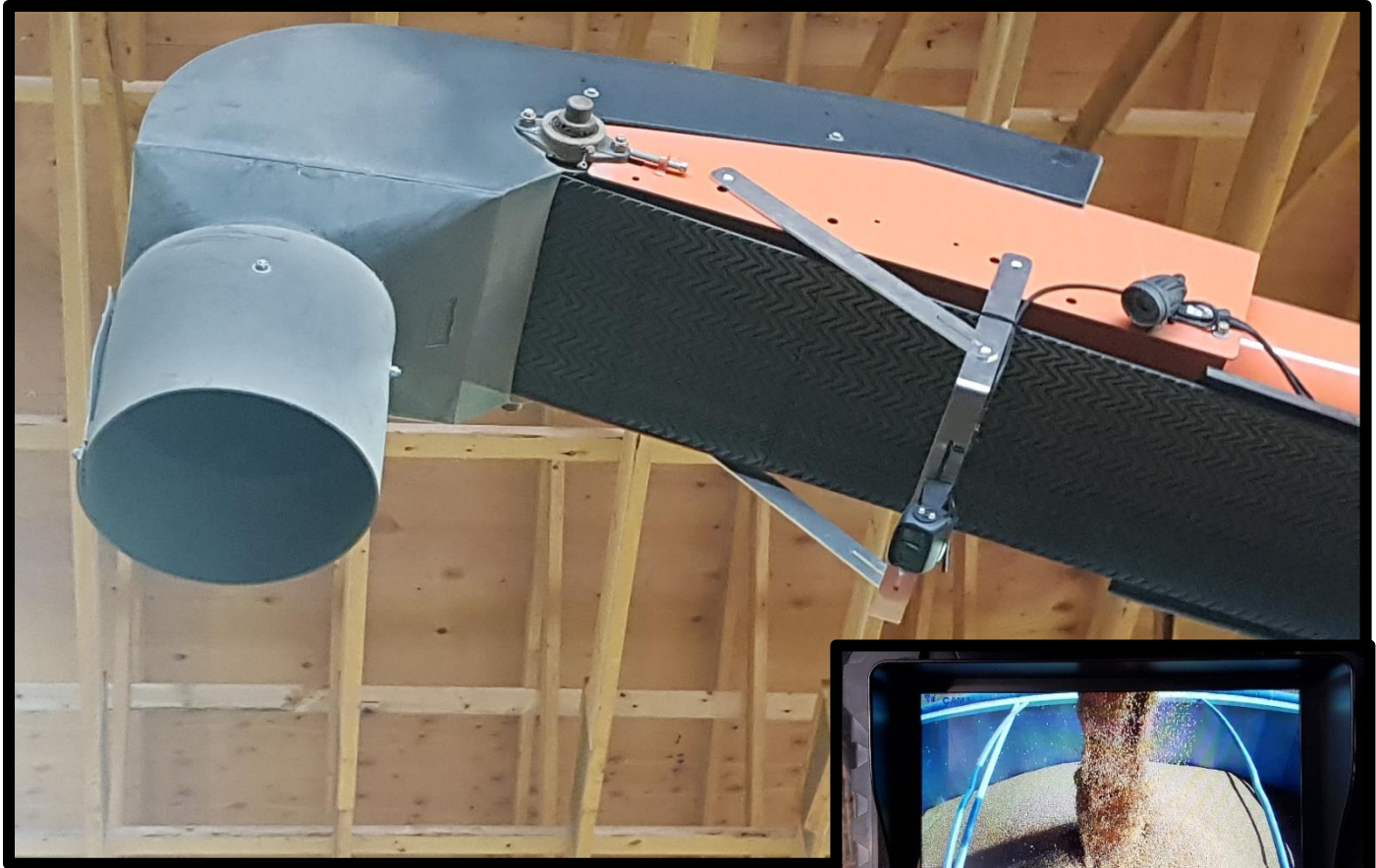


Michel's Universal Wireless Camera Conveyor Mounting instructions



Tools required to install;

- 9/16" Wrench
- 9/16" Socket and Ratchet
- 7/16" Wrench or Socket
- Drill and Drill Bits
- Wire Stripper
- Side Cutter
- Heat Gun
- Solder & Soldering Iron
- #1 Phillips Crew Driver
- Electrical Tape

Please read entire Instructions before beginning!

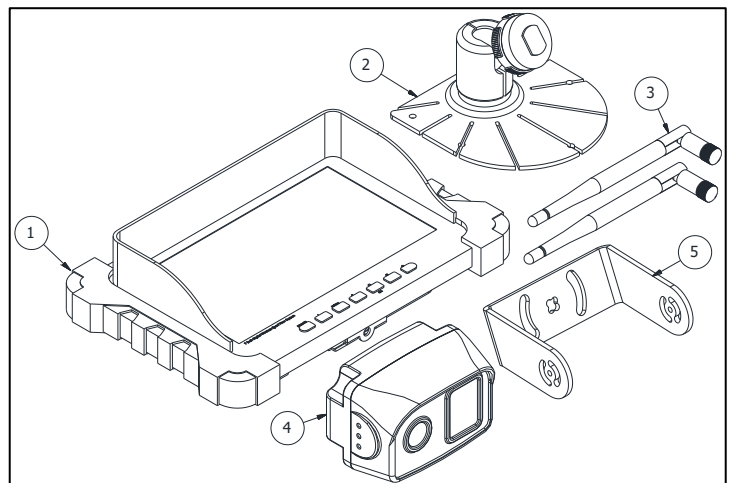
Pictures and are for reference only and may not be accurate of actual parts supplied!

0015-000007 - 1 MM Monitor/Camera Kit - Includes 1 MM Monitor, 1 Camera

Includes:

1. 0015-000032 – MM1.1 Monitor
2. Monitor Mounting Base Plate – Comes with Monitor
3. Wireless Antenna – Comes with Camera & Monitor
4. 0015-000033 - Camera Only w/connector (For MM1.1 Multi Monitor)
5. 0015-000059 – Camera Mount Offset Bracket

Note: This kit also includes mounting hardware and wiring not shown in picture.



0015-000009 - 1 Camera Kit - Includes 1 Camera (For MM Monitor)

1. 0015-000059 – Camera Mount Offset Bracket
2. Wireless Antenna – Comes with Camera
3. M4.0-0.7 – 7.5mm Long Phillips Head Screw – Comes with Camera
4. M4.0 Lock Washer – Comes with Camera
5. M4.0 Flat Washer – Comes with Camera
6. 0015-000033 - Camera Only w/connector (For MM1.1 Multi Monitor)
7. *NOT SHOWN* – 50' of wire comes with Receptical

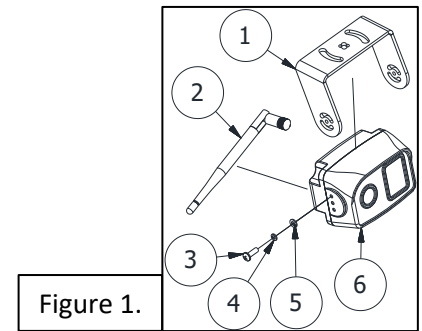


Figure 1.

0015-000011 - Std Conveyor Kit C/W 1 - MM Monitor and 1 Camera (Add Extra Monitors)

1. 0015-000059 – Camera Mount Offset Bracket
2. 0015-000076 – Universal Conveyor Mounting Bracket
3. 0015-000077 – Support Strap
4. 0105-009003 – ¼" x 1" Carriage Head Bolt
5. 0101-001000 – ¼" Flat Washer
6. 0100-001100 – ¼" Nylock Hex Nut
7. 0015-000031 – Wireless Camera
8. Wireless Antenna – Comes with Camera

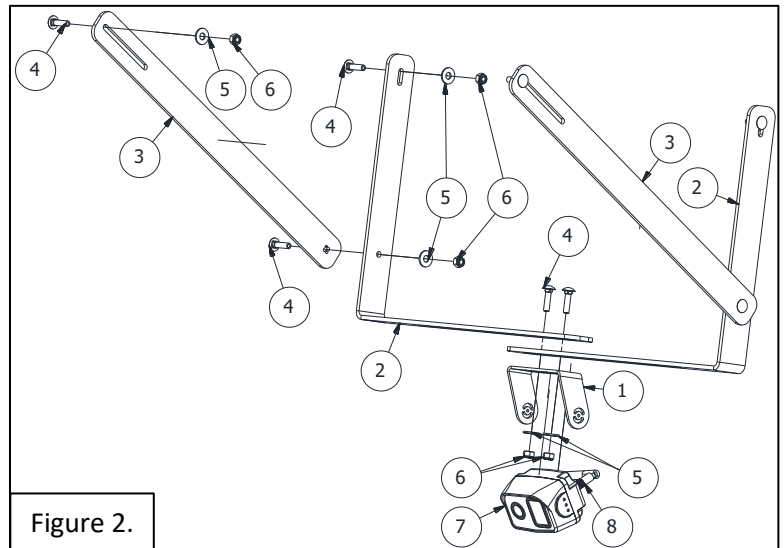


Figure 2.

Step 1

Mount the camera into the Camera Mount Offset Bracket (#1) using the screws in the camera box. Loosely assemble the Universal Mounting Brackets (#2) and Camera Mount Offset Bracket. This will allow the brackets to be adjusted in and out to fit the end of the conveyor.

Step 2

Determine where the best location to mount the brackets onto the top of the conveyor. Michel's recommends mounting the camera between 4' to 6' down from the discharge spout. See Figure 3. This is just a suggestion; the camera can be mounted wherever works best for the user. It may be possible to use existing holes to mount the bracket. Mount the assembly to the conveyor using the ¼" carriage bolts, washers, and Nylock nuts.

Step 3

Install the Support Straps (#3) onto the Assembly and the conveyor using ¼" Carriage bolts, washers, and Nylock Nuts.

Step 4

Plug the supplied wire into the receptical at the camera. Run the wire from the camera down to the ignition of the conveyor. Find a 12vdc positive wire that is controlled with the ignition key. Using a voltmeter or test light, verify that this wire is switched on and off with the key. Connect the **BLACK** wire to the positive 12vdc switched conveyor wire. Connect the White wire to a good ground of the conveyor.

Note: The White wire is – (Negative Ground) and the **Black wire is + (Positive 12vdc).**

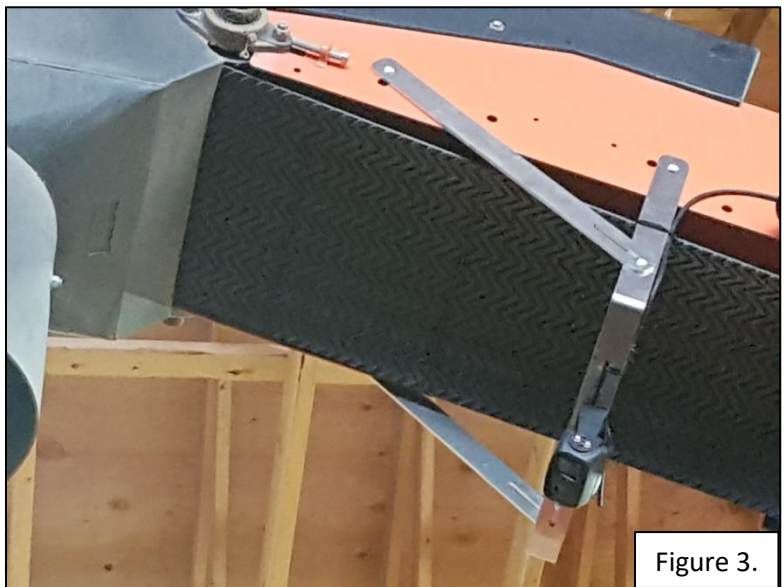


Figure 3.

Step 5

Mount the monitor inside the cab of the truck and plug it into a 12vdc socket. The Monitor, Camera, and pairing instructions are in the Monitor/Camera box.

Step 6

Once the Conveyor Mounting kit is mounting on the Conveyor in the desired position, the camera can be adjusted in 2 different directions. See Figure 3&4.

Direction 1. Loosen the two 1/4" carriage bolts that mount the Universal Conveyor Mounting Bracket. It can now be rotated Left and Right. See Figure 4. Bottom View of the camera.

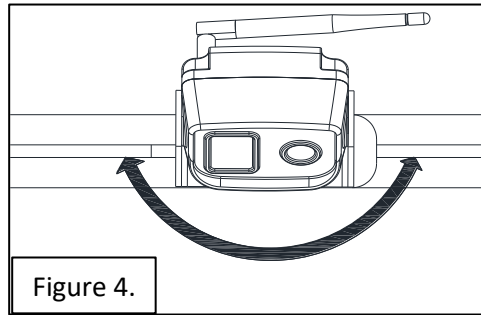


Figure 4.

Direction 2. Loosen the screws that mount the Camera to the Camera Mount Offset Bracket. This will rotate the Camera Up and Down. See Figure 5.

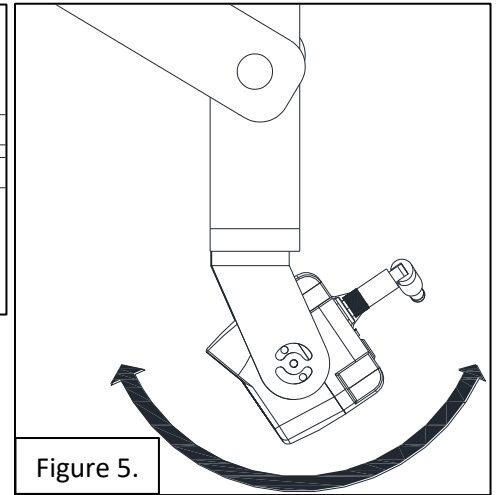


Figure 5.

Adjust the camera to give the best view on the Monitor. It is suggested to have one person in the cab of the truck looking at the monitor and one person adjusting the camera.



Wichel's Industries, Ltd.

P.O. Box 119

St. Gregor, Saskatchewan

S0K 3X0 Canada

Ph# (306)366-2184 or Fax# (306)366-2145