

Michel's Universal 8" to 16" Auger Mounting instructions



Tools required to install;

- 9/16" Wrench
- 9/16" Socket and Ratchet
- 7/16" Wrench or Socket
- Drill and Drill Bits
- Wire Stripper
- Side Cutter
- Heat Gun
- Solder & Soldering Iron
- #1 Phillips Crew Driver
- Electrical Tape

Please read entire Instructions before beginning!

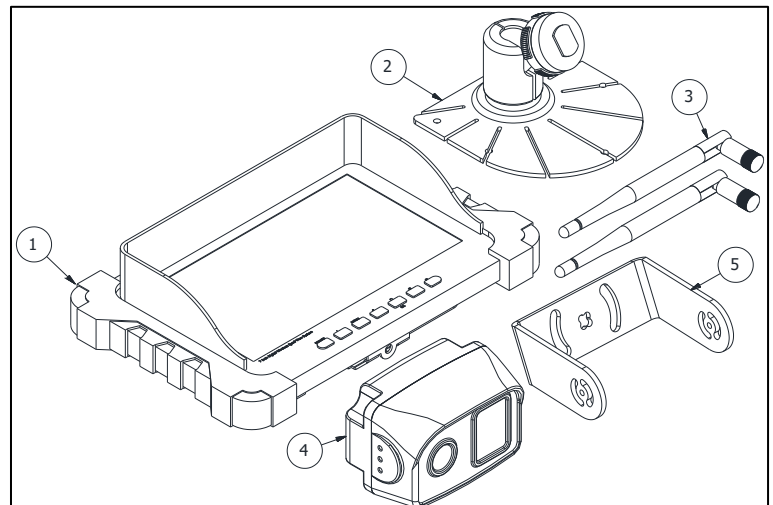
Pictures and are for reference only and may not be accurate of actual parts supplied!

0015-000007 - 1 MM Monitor/Camera Kit - Includes 1 MM Monitor, 1 Camera

Includes:

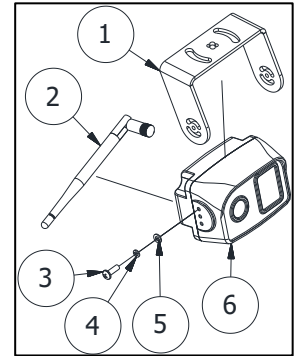
1. 0015-000032 – MM1.1 Monitor
2. Monitor Mounting Base Plate – Comes with Monitor
3. Wireless Antenna – Comes with Camera & Monitor
4. 0015-000033 - Camera Only w/connector (For MM1.1 Multi Monitor)
5. 0015-000059 – Camera Mount Offset Bracket

Note: This kit also includes mounting hardware and wiring not shown in picture.



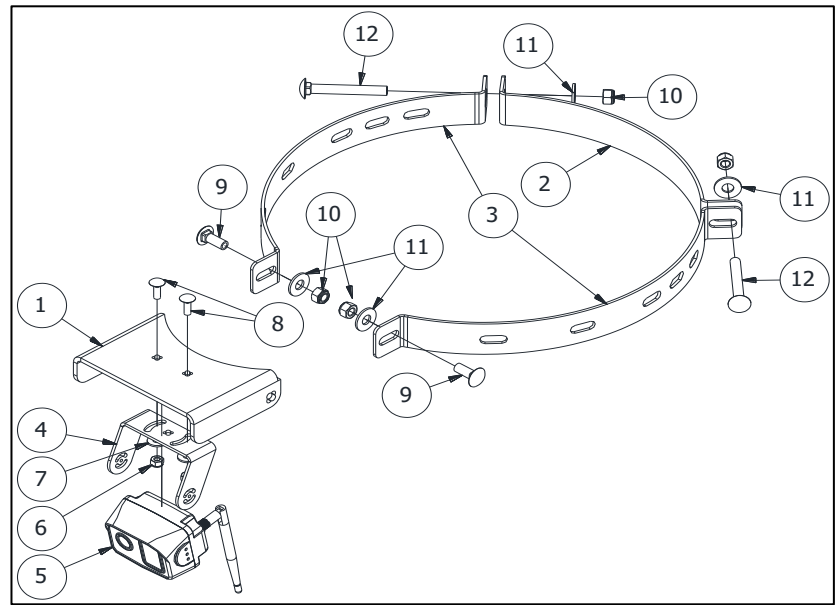
0015-000009 - 1 Camera Kit - Includes 1 Camera (For MM Monitor)

1. 0015-000059 – Camera Mount Offset Bracket
2. Wireless Antenna – Comes with Camera
3. M4.0-0.7 – 7.5mm Long Phillips Head Screw – Comes with Camera
4. M4.0 Lock Washer – Comes with Camera
5. M4.0 Flat Washer – Comes with Camera
6. 0015-000033 - Camera Only w/connector (For MM1.1 Multi Monitor)
7. *NOT SHOWN* – 50’ of wire comes with Receptical



0015-000010 - 8" -16" Grain Auger Kit C/W 1 - MM Monitor and 1 Camera (Add Monitor Only)

1. 0015-000081 – Auger Mounting Plate
2. 0015-000082 – Top Cross Strap
3. 0015-000083 – 8” to 16” Auger Bottom Strap
4. 0015-000059 – Camera Mount Offset Bracket
5. 0015-000031 – Wireless Camera 0015-000056 – Torsion Spring Tubing
6. 0100-001100 – ¼” Nylock Hex Nut
7. 0101-001000 – ¼” Flat Washer
8. 0105-009002 – ¼” x ¾” Carriage Head Bolt
9. 0105-009215 – ¾” x 1” Carriage Head Bolt
10. 0100-001102 – ¾” Nylock Hex Nut
11. 0101-001002 – ¾” USS Flat Washer
12. 0105-009210 – ¾” x 3” Carriage Head Bolt



Step 1

This auger mounting kit is designed to work with 8”, 10”, 12”, 13”, 14”, and 16” Augers. It is up to the person installing the kit to modify the mounting straps for the size of auger that it is being installed on. The Bottom straps will have to be cut and bent for the correct size auger. The strap should be cut on the etched line farthest from the Front Mounting Location, next to the hole size that corresponds to the auger being used. See Figure 1.

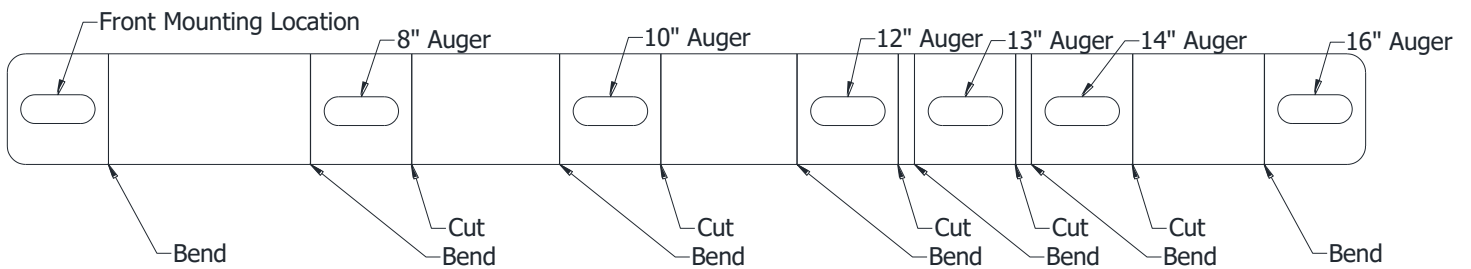
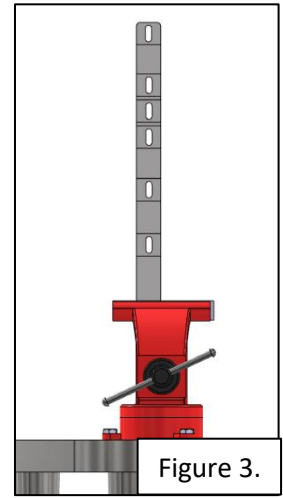
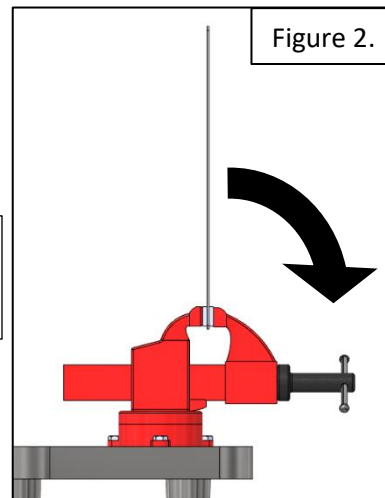
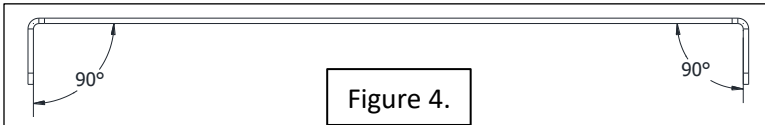


Figure 1.

Step 2

Clamp the strap in a vise with the etched line facing out and at the top of the vise jaws. Pull on the strap and bend towards the etched lines until the strap is at 90°. Turn the strap over and bend towards the etched lines on the other end 90°. See Figure 2 - 4.

**Step 3**

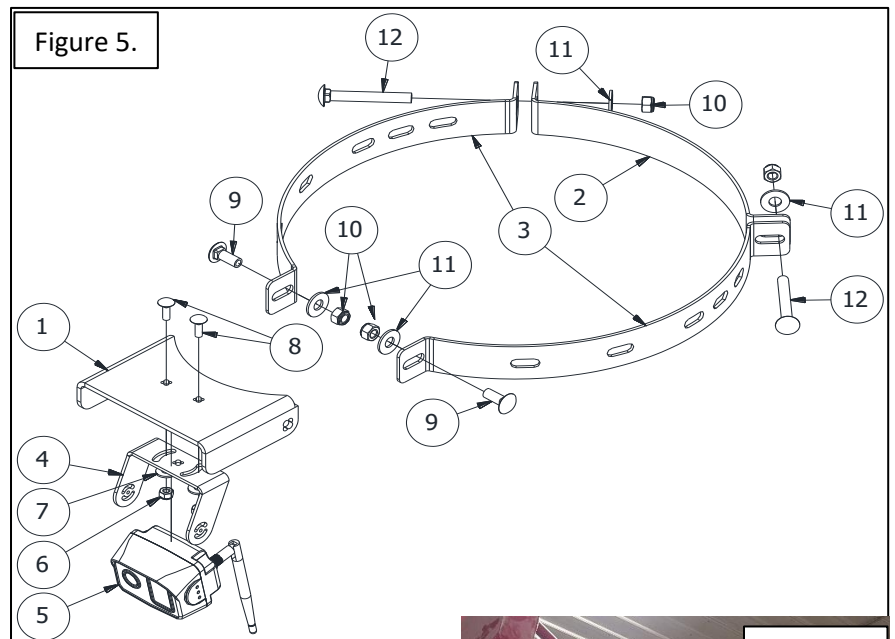
Take all three straps to the auger and roll them by hand around the auger tube. They should follow the contour of the tube of the auger.

Step 4

Loosely install the camera into the Camera Mount Offset Bracket. (#4) Use the screws in the camera box to install the camera onto the bracket.

Use 1/4" x 3/4" Carriage head bolts, Nylock Nuts and flat washers to install the Offset Bracket (#4) onto the Auger Mounting Plate (#1).

Loosely install both Auger Bottom Straps (#3) onto the Auger Mounting Plate (#1).

**Step 5**

Take this assembly and the remaining Top Cross Strap (#2) and install it onto the auger in the correct location. Michel's recommends mounting the camera between 4' to 6' down from the discharge spout. This is just a suggestion; the camera can be mounted wherever works best for the user. Use the long 3/8" Carriage Head bolts to tighten onto the auger. Once in the correct location, tighten all of the carriage head bolts that secure the Auger Mounting Plate (#1).

Step 6

Plug the supplied wire into the receptacle at the camera. Run the wire from the camera down to the ignition of the auger. Find a 12vdc positive wire that is controlled with the ignition key. Verify that this wire is switched on and off with the key. Connect the **BLACK** wire to the positive 12vdc switched auger wire. Connect the White wire to a good ground on the auger.

Note: The White wire is - (Negative Ground) and the **Black wire is + (Positive 12vdc)**.

Step 7

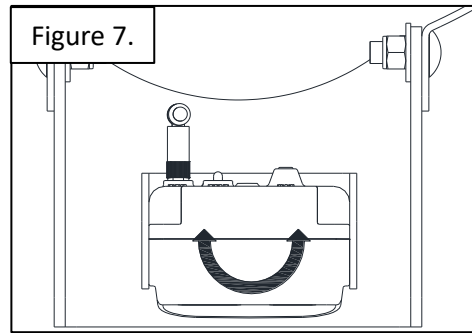
After the Camera is wired, it is now time to pair it to the monitor. Mount the monitor inside the cab of the truck and plug it into a 12vdc socket. The Monitor, Camera, and pairing instructions are in the Monitor/Camera box.



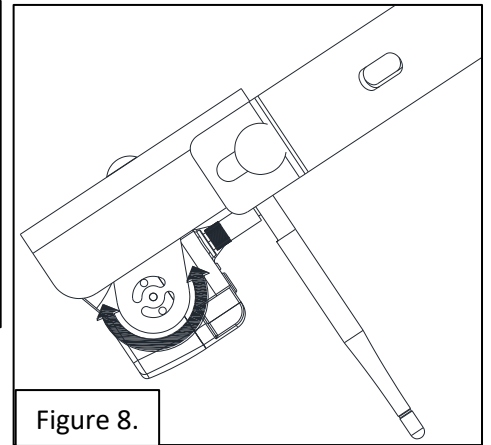
Step 8

Once the Auger Mounting kit is mounting on the Auger in the desired position, the camera can be adjusted in 2 different directions. See Figure 7 & 8.

Direction 1. Loosen the two ¼” carriage bolts that mount the Auger Mounting Plate. It can now be rotated Left and Right. See Figure 7. Bottom View of the camera.



Direction 2. Loosen the screws that mount the Camera to the Camera Mount Offset Bracket. This will rotate the Camera Up and Down. See Figure 8.



Adjust the camera to give the best view on the Monitor. It is suggested to have one person in the cab of the truck looking at the monitor and one person adjusting the camera.

