



August 8, 2018

Industries Ltd.

Replacement Tarp Order Form

Customer Name: _____ City: _____

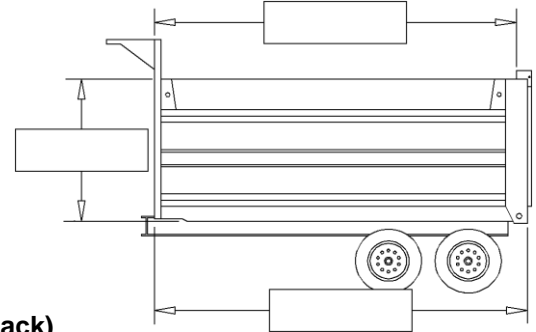
Address: _____ Postal Code: _____

Ph#: () _____ Fax#: () _____

A. Outside Top Length Measurements of Box (L): _____

B. Outside Top Measurements of Width of Box (W): _____

C. Height of Cab Guard (If Applicable) (H) _____

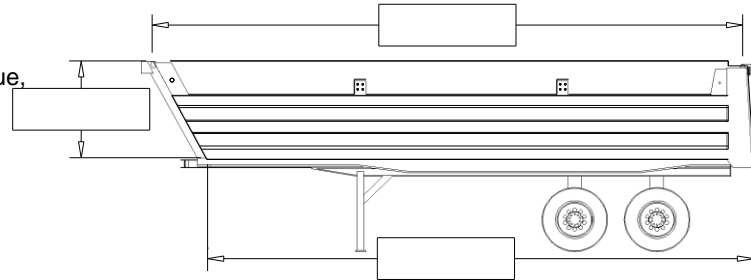


D. Please circle type of tarp material

- Mesh Vinyl Neoprene (All Black) Asphalt (All Black)

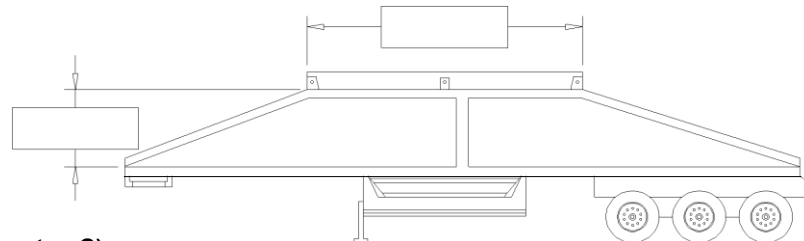
E. Please circle the color of the Tarp Material.

- 0002-White, 8504-Grey, 8533-Charcoal, 6004-Blue, 6094-Navy Blue,
- 6517-Light Blue, 8001- Black, 3021- Red, 1025-Yellow,
- 4052-Forest Green (Dark Green), 4003-Medium Green,
- 4057- Lt. Green, 3519- Burgundy, 6504-Purple, 9514-Brown,
- 2019-Orange, 9033-Tan,



F. Please circle style of Flip Tarp

- DURA (Aluminum Arms) ECONO (Steel Arms)



G. Options:

Please check off the options you want to purchase.

- _____ Tension Control Upgrade
(Recommended with Cab Guards higher than 24". See step C)
- _____ Bent Arm Upgrade
- _____ Clutch Crank Upgrade
- _____ C/W Rear Lock (Standard on units 23' & Over)
- _____ Stainless Steel Chain upgrade (Standard is Hydro Chain)
- _____ Electric Upgrade with back up crank
- _____ Electric Upgrade without back up crank
- _____ Wireless Upgrade on Electric
- _____ Rear Air Lock upgrade for Electric units

