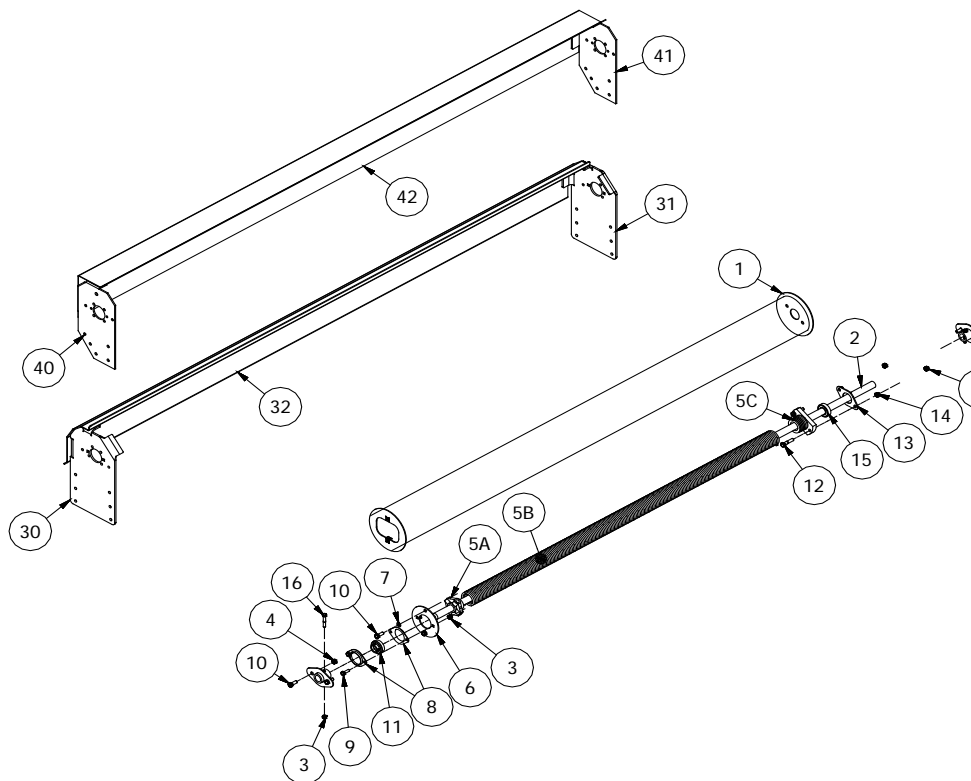


AIR FLIP ROLLTUBE ASSEMBLY

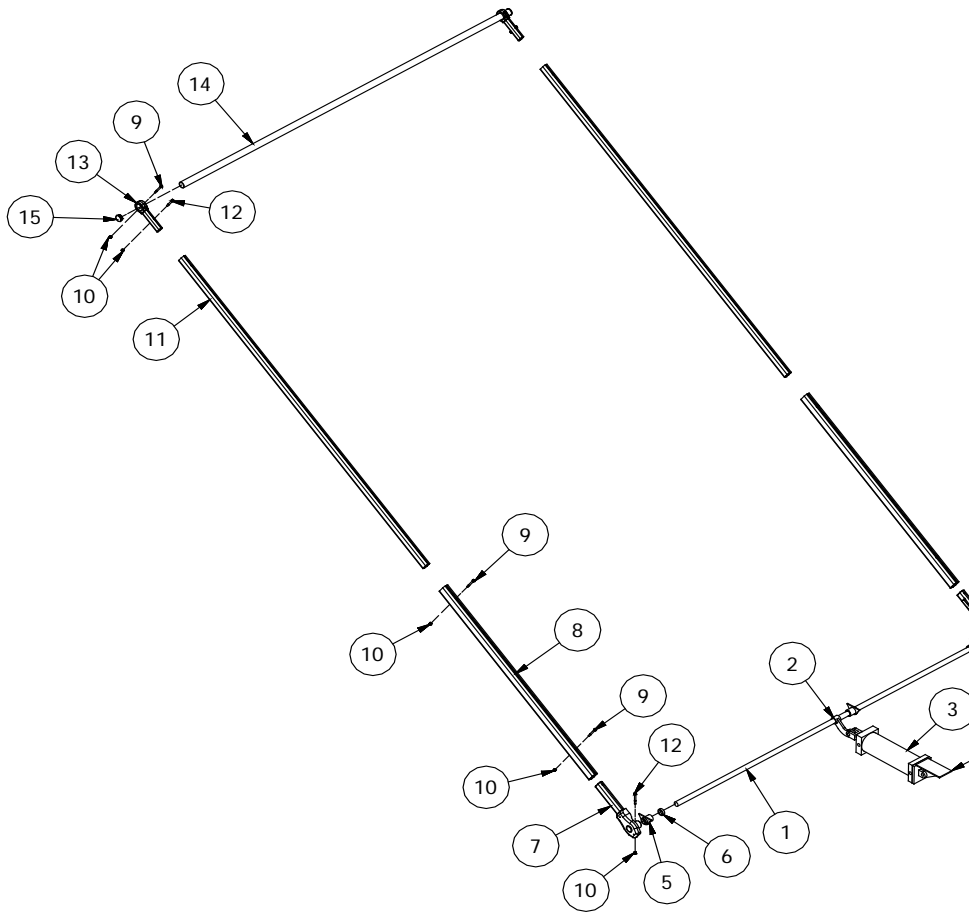
REF	PART #	DESCRIPTION	QTY
1	0002-040602	ROLLTUBE ** NEED WIDTH **	ea.
2	0002-040603	ROLLTUBE SHAFT ** NEED WIDTH **	ea.
3	0100-001101	5/16" NYLON LOCK NUT	ea.
4	0100-001302	3/8" SERRATED FLANGE NUT	ea.
5	0002-040612	TORSION SPRING c/w ENDS C/W #5A-5C	ea.
5A	0161-002016BR2	T-STYLE WINDING PLUG	ea.
5B	0117-002004	ROLLTUBE TORSION SPRING ONLY - 60"	ea.
5C	0161-002009	THREADED SPRING END - BEARING/T-BOLT PLUG	ea.
6	0002-040604	ROLLTUBE - SHAFT ENDCAP	ea.
7	0101-001202	3/8" LOCK WASHER	ea.
8	0115-001000	52MM 2-BOLT FLANGE	ea.
9	0105-000102	5/16"X1" HEX BOLT	ea.
10	0105-000202	3/8"X1" HEX BOLT	ea.
11	0115-000008	UC205-16 SELF ALIGNING BEARING	ea.
12	0105-000205	3/8"X1-3/4" HEX BOLT	ea.
13	0002-040607	BEARING FLANGE	ea.
14	0100-001002	3/8" HEX NUT	ea.
15	0115-000006	SA205-16 SELF- ALIGNING BEARING	ea.
16	0105-000106	5/16"X2" HEX BOLT	ea.
17	0002-040605	LOCKING COLLAR FLANGE	ea.
1-17	0002-040613	ROLLTUBE ASSEMBLY less WIND DEFLECTOR & ROLLTUBE BRACKETS	ea.
30	0002-040501	DURA DRIVER ROLLTUBE BRACKET	ea.
31	0002-040502	DURA PASSENGER ROLLTUBE BRACKET	ea.
32	0002-040503	8' DURA FRONT HOOD - 96"	ea.
32A	0002-040504	8'6" DURA FRONT HOOD - 102"	ea.
1-32	0002-040630	ROLLTUBE ASSEMBLY c/w ALUMINUM ROLLTUBE BRACKETS & CHECKERPLATE FRONT HOOD ** NEED WIDTH **	ea.
40	0002-040304	DRIVER ROLLTUBE BRACKET	ea.
41	0002-040305	PASSENGER ROLLTUBE BRACKET	ea.
42	0002-040306	8' STANDARD ALUMINUM FRONT HOOD	ea.
42A	0002-040406	8'6" STANDARD ALUMINUM FRONT HOOD c/w REF#34	ea.
1-17 + 40-42	0002-040640	ROLLTUBE ASSEMBLY c/w STEEL ROLLTUBE BRACKETS & ALUMINUM FRONT HOOD ** NEED WIDTH **	ea.



Arne's are Less Rolltube Brackets & Hood

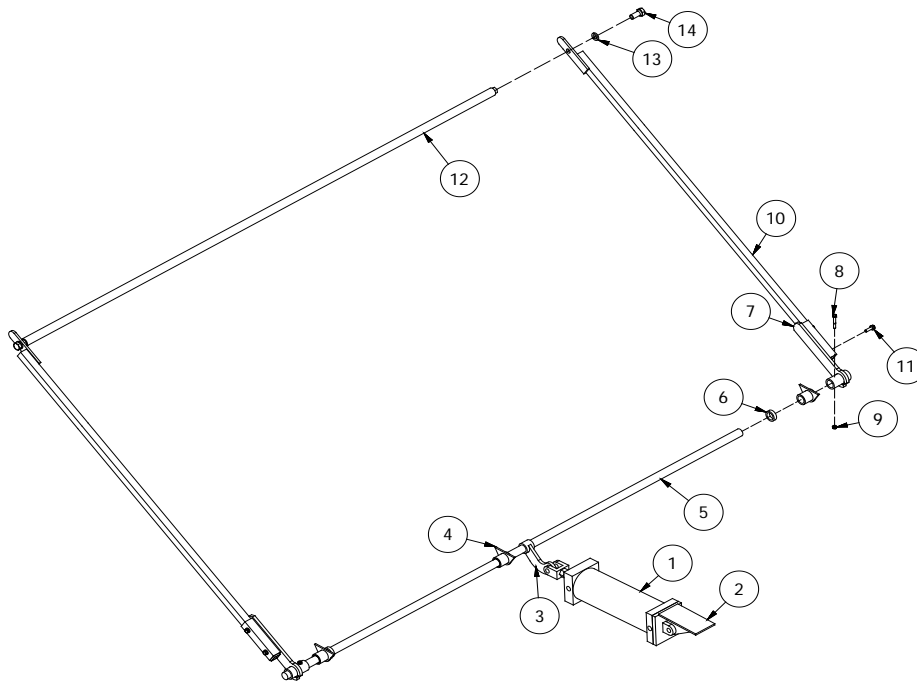
DURA AIR FLIP PIVOT ARM ASSEMBLY

REF#	PART #	DESCRIPTION	QTY
1	0002-060202	1-1/4" CR SHAFT	ea.
2	0002-060237	CONNECTING ARM - 5-1/4"	ea.
3	0002-060235	5"X14" AIR CYLINDER c/w CLEVIS	ea.
4	0002-060234	CYLINDER MOUNTING BRACKET - 3"	ea.
5	0002-060232	BUSHING MOUNT	ea.
6	0002-060233	SHAFT POSITIONING COLLAR	ea.
7	0002-060236	Bottom Cast Pivot Arm - Air Flip	ea.
8	0002-061002	DURA BOTTOM PIVOT ARM - 60"	ea.
9	0105-000112	5/16"X3-1/2" HEX BOLT	ea.
10	0100-001101	5/16" NYLON LOCK NUT	ea.
11	0002-061003	DURA TOP PIVOT ARM - 98"	ea.
12	0105-000110	5/16"X3" HEX BOLT	ea.
13	0161-003018	REAR CROSSMEMBER HOLDER	ea.
14	0002-061004	8" DURA CROSSMEMBER - 108" c/w PLASTIC PLUGS	ea.
14A	0002-061005	8"6" DURA CROSSMEMBER - 110" c/w PLASTIC PLUGS	ea.
15	0113-000054	1-3/4"OD X 0.188" PLASTIC PLUG	ea.
1-15	0002-060230	DURA AIR PIVOT ARM ASSEMBLY - BUSHING MOUNT STYLE, 5x14 CYLINDER, ALUMINUM ARMS, 1-1/4" SHAFT ** NEED WIDTH **	ea.



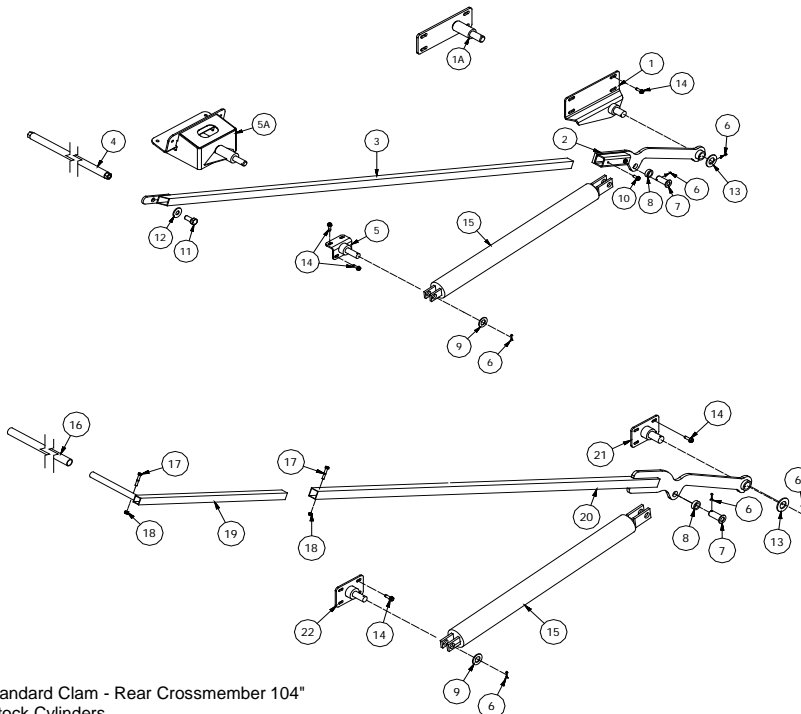
AIR FLIP PIVOT ARM ASSEMBLY

REF#	PART #	DESCRIPTION	QTY
1	0002-060235	5"X14" AIR CYLINDER c/w CLEVIS	ea.
2	0002-060234	CYLINDER MOUNTING BRACKET - 3"	ea.
3	0002-060237	CONNECTING ARM - 5-1/4"	ea.
4	0002-060232	BUSHING MOUNT	ea.
5	0002-060202	1-1/4" CR SHAFT	ea.
6	0002-060233	SHAFT POSITIONING COLLAR	ea.
7	0002-060201	BOTTOM PIVOT ARM - UNDER STYLE	ea.
8	0105-000107	5/16"-18x2_1/4" GR5 BOLT	ea.
9	0100-001101	5/16" NYLON LOCK NUT	ea.
10	0002-060205	TOP PIVOT ARM - 120"	ea.
11	0106-000016	3/8"X1-1/4" SELF THREADING BOLT	ea.
12	0002-060109	REAR CROSSMEMBER	ea.
13	0101-001206	3/4" LOCK WASHER	ea.
14	0105-000605	3/4" X 1-3/4" HEX BOLT	ea.
1-14	0002-060245	8' STEEL PIVOT ARM ASSEMBLY - BUSHING MOUNT STYLE, 5x14 CYLINDER, STEEL ARMS, 1-1/4" SHAFT ** NEED WIDTH **	ea.



MIDLAND DUAL CYLINDER PIVOT ARM ASSEMBLY

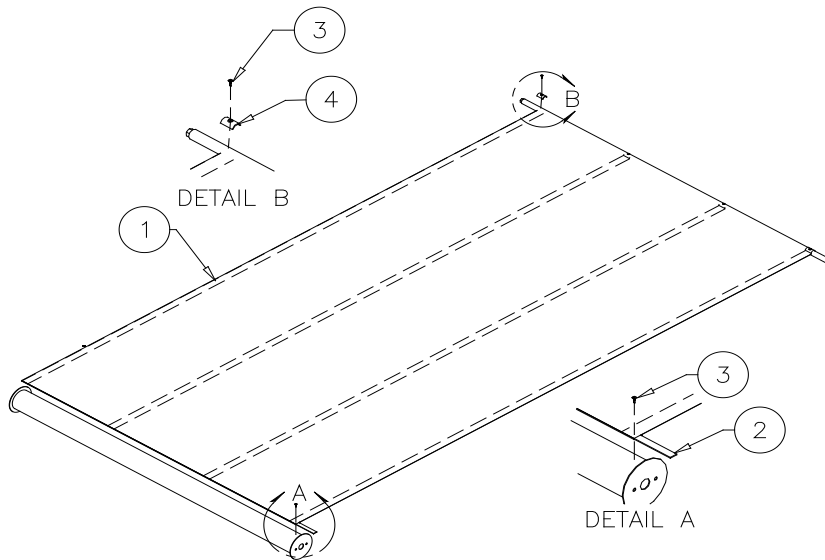
REF#	PART #	DESCRIPTION	QTY
1	0002-060105	PIVOT ARM BRACKET - DRIVER - MX	ea.
N/A	0002-060106	PIVOT ARM BRACKET - PASSENGER - MX	ea.
1A	0002-060151	PIVOT ARM BRACKET - AF TC	ea.
2	0002-060103	BOTTOM PIVOT ARM - DRIVER	ea.
N/A	0002-060104	BOTTOM PIVOT ARM - PASSENGER	ea.
3	0002-060108	TOP PIVOT ARM - 110"	ea.
4	0002-060109	REAR CROSSMEMBER	ea.
5	0002-060107	CYLINDER MOUNTING BRACKET - MX	ea.
5A	0002-060152	CYLINDER MOUNTING BRACKET - TC	ea.
6	0110-000012	3/16"X2" COTTER PIN	ea.
7	0002-060110	1" X 2-1/2" PIN	ea.
8	0002-060111	1/2" SPACER	ea.
9	0101-001107	1" SAE FLAT WASHER	ea.
10	0105-000202S	3/8"X1" SERRATED FLANGE HEAD BOLT	ea.
11	0105-000605	3/4" X 1-3/4" HEX BOLT	ea.
12	0101-001206	3/4" LOCK WASHER	ea.
13	0101-001108	1-1/4" SAE FLAT WASHER	ea.
14	0106-000016	3/8"X1-1/4" SELF THREADING BOLT	ea.
15	0600-000002	3" X 33" PNEUMATIC CYLINDER	ea.
1-15	0002-060112	COMPLETE DUAL CYLINDER PIVOT ARM ASSEMBLY -DRIVER & PASSENGER c/w 3"X33" CYLINDERS - MX	ea.
1-14	0002-060113	COMPLETE DUAL CYLINDER PIVOT ARM ASSEMBLY - DRIVER & PASSENGER w/o CYLINDERS - MX	ea.
1-14 cw/1A & 5A	0002-060150	COMPETE TAPER CLAM DUAL CYLINDER PIVOT ARM ASSEMBLY - DRIVER & PASSENGER w/o CYLINDERS	ea.
N/A	0002-060130	COMPLETE DUAL CYLINDER HARDWARE KIT c/w DUAL CYLINDER PIVOT ARM ASSEMBLY c/w AIR CYLINDERS (0002-060112) & ROLLTUBE ASSEMBLY (0002-040613) & CLAM HOOD (0002-040307) & LOCKING COLLAR FLANGES (0002-040605)	ea.
N/A	0002-060131	COMPLETE DUAL CYLINDER HARDWARE KIT c/w DUAL CYLINDER PIVOT ARM ASSEMBLY LESS CYLINDERS (0002-060113) & ROLLTUBE ASSEMBLY (0002-040613) & CLAM HOOD (0002-040307) & LOCKING COLLAR FLANGES (0002-040605)	ea.
N/A	0002-060153	COMPETE TAPER CLAM DUAL CYLINDER HARDWARE KIT c/w TAPER CLAM PIVOT ARM ASSEMBLY (0002-060150), MIDLAND ROLLTUBE ASSEMBLY (0002-040613), TAPER CLAM FRONT HOOD (0002-040315), LOCKING COLLAR FLANGES (0002-040605)	ea.
UNIVERSAL PIVOT ARM PARTS			
16	0002-064562	8/6" ECONO REAR PIVOT ARM CROSSMEMBER	ea.
17	0105-000105	5/16"X1-3/4" HEX BOLT	ea.
18	0100-001101	5/16" NYLON LOCK NUT	ea.
19	0002-060652	TOP PIVOT ARM (1-1/4X36")	ea.
20	0002-060163	UNIVERSAL DUAL CYLINDER PIVOT ARM	ea.
21	0002-060161	UNIVERSAL DUAL CYLINDER PIVOT ARM BRACKET	ea.
22	0002-060162	UNIVERSAL DUAL CYLINDER MOUNTING BRACKET	ea.



Midland Standard Clam - Rear Crossmember 104"
Do NOT Stock Cylinders

REPLACEMENT MATERIAL & COMPONENTS

REF#	PART #	DESCRIPTION	QTY
1	FR02-072018	20 OZ. VINYL MATERIAL @ FINISHED MEASUREMENT	LIN.FT
N/A	FR02-072022	22 OZ. VINYL MATERIAL @ FINISHED MEASUREMENT	LIN.FT
N/A	FR02-072001	MESH MATERIAL @ FINISHED MEASUREMENT	LIN.FT
N/A	FR02-072002	NEOPRENE MATERIAL @ FINISHED MEASUREMENT	LIN.FT
N/A	FR02-072003	YELLOW CANVAS MATERIAL @ FINISHED MEASUREMENT	LIN.FT
N/A	FR02-072004	WHITE SAW MESH @ FINISHED MEASUREMENT	LIN.FT
N/A	FR02-072005	ASPHALT MATERIAL @ FINISHED MEASUREMENT	LIN.FT
N/A	FR02-072007	GORILLA MESH MATERIAL @ FINISHED MEASUREMENT	LIN.FT
2	0002-073001	88" FIBERGLASS FLAT e/w 10 of REF#3	ea.
3	0106-000011	10-24X3/4" SELF TAPPING SCREW	ea.
4	0113-000036B	PVC TARP CLAMP e/w REF#83	ea.



AIR COMPONENTS

REF#	PART #	DESCRIPTION	QTY
1	0600-000021	4 WAY 2 POSTION AIR SOLENOID VALVE	ea.
2	0600-000024	SOLENOID VALVE BRACKET	ea.
3	0106-000030	#8-32x1-1/2" MACHINE SCREW	ea.
4	0106-000031	#8-32 LOCK NUT	ea.
5	0600-000022	SPEED CONTROL MUFFLER - 1/4"	ea.
6	0600-000009	CONNECTOR TUBE TO MALE PIPE - 3/8" - 1/4"	ea.
7	0600-000012	3/8" AIR BRAKE TUBING	FT
8	0600-000020	90 DEGREE ELBOW TUBE TO MALE PIPE - 3/8" - 1/2"	ea.
9	0145-300018	16-14G SILICONE QUICK SPLICE	ea.
10	0145-600002	ROCKER SWITCH - ON-OFF	ea.
11	0145-300016	16-14GA FEMALE CONNECTORS	ea.
12	0145-600003	INLINE FUSE HOLDER	ea.
13	0145-600004	1AMP FUSE	ea.
14	0145-600001	14GA STUD - 3/8"	ea.
15	0145-600005	14GA-2 STRAND WIRE	FT
1-15	0002-060240	AIR COMPONENT KIT - c/w VALVE, HOSE, FITTINGS, SWITCH	ea.
18	0002-060235	5"X14" AIR CYLINDER c/w CLEVIS	ea.
DUAL CYLINDER COMPONENTS			
16	0600-000008	3/8" AIR BRAKE LINE UNION TEE	ea.
17	0600-000025	CONNECTOR TUBE TO MALE PIPE - 3/8" - 3/8"	ea.
1-17	0002-060241	DUAL CYLINDER AIR COMPONENT KIT - c/w VALVE, HOSE, FITTINGS, SWITCH	ea.
19	0600-000002	3" X 33" PNEUMATIC CYLINDER	ea.

