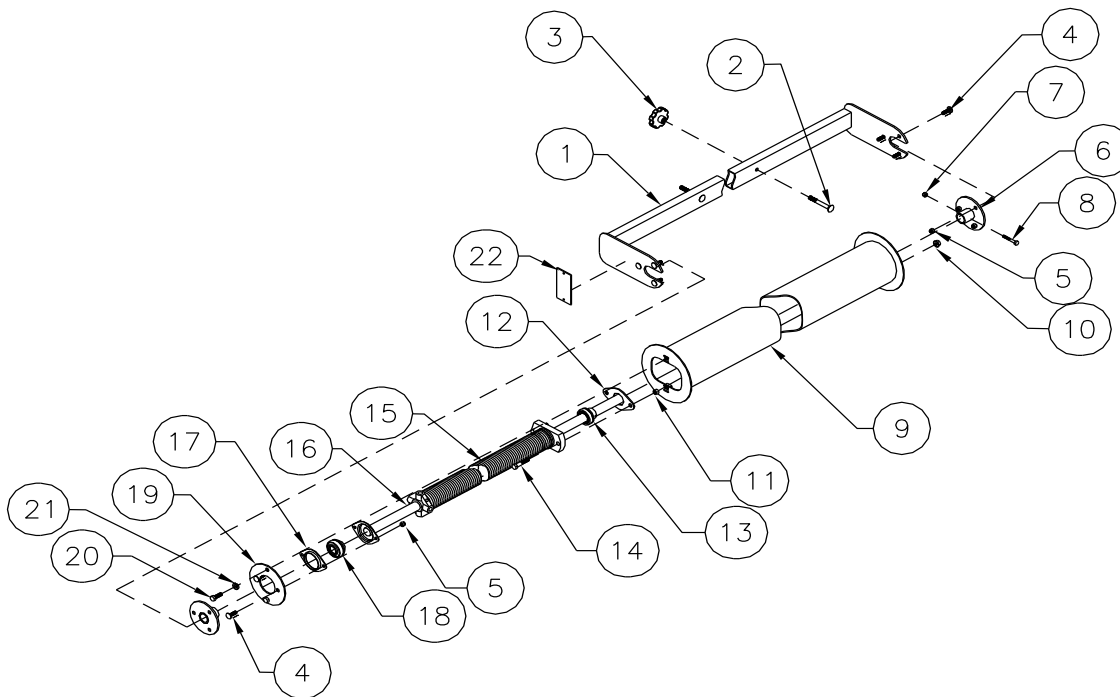


JOHN DEERE FRONT ROLLTUBE ASSEMBLY

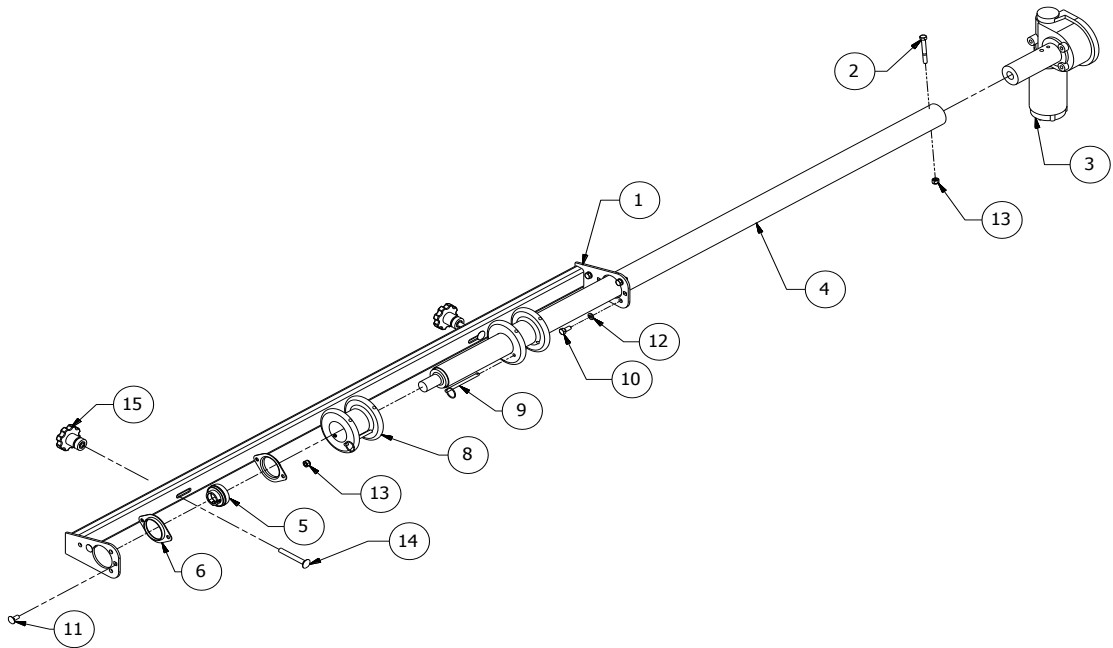
| REF | PART # | DESCRIPTION | QTY |
|------|-------------|------------------------------------|-----|
| 1 | 0007-000101 | FRONT JD MOUNTING BRACKET | 1 |
| 2 | 0105-009210 | 3/8"X3" CARRIAGE HEAD BOLT | 1 |
| 3 | 0113-400002 | PLASTIC 3/8" FEMALE KNOB - SHORT | 1 |
| 4 | 0105-009101 | 5/16"X3/4" CARRIAGE HEAD BOLT | 1 |
| 5 | 0100-001101 | 5/16" NYLOK PLATED | 1 |
| 6 | 0007-000001 | FRONT ROLLTUBE MOUNT | 1 |
| 7 | 0100-001100 | 1/4" NYLON LOCK NUT | 1 |
| 8 | 0105-000006 | 1/4"- 20 X 1_3/4" HEX BOLT | 1 |
| 9 | 0007-000102 | FRONT JD ROLLTUBE | 1 |
| 10 | 0100-001302 | 3/8" SERRATED FLANGE LOCK NUT | 1 |
| 11 | 0100-001002 | 3/8" HEX NUT | 1 |
| 12 | 0002-040607 | BEARING FLANGE | 1 |
| 13 | 0115-000006 | SA205-16 BEARING | 1 |
| 14 | 0105-000205 | 3/8" X 1-3/4" HEX BOLT | 1 |
| 15 | 0007-000103 | TORSION SPRING ASSEMBLY - JD | 1 |
| 16 | 0007-000104 | 1" ALUMINUM FRONT SHAFT - JD | 1 |
| 17 | 0115-001000 | 52MM - 2 BOLT FLANGE | 1 |
| 18 | 0115-000008 | UC205-16 SELF ALIGNING BEARING | 1 |
| 19 | 0160-007003 | ROLLTUBE - SHAFT ENDCAP | 1 |
| 20 | 0105-000202 | 3/8" X 1 HEX BOLT | 1 |
| 21 | 0101-001202 | 3/8" LOCK WASHER | 1 |
| 22 | 0114-000008 | SERIAL NUMBER PLATE | 1 |
| 1-22 | 0007-000100 | FRONT JOHN DEERE ROLLTUBE ASSEMBLY | 1 |



WITH SERIAL # 2007031 AND UP THE ROLLTUBE ENDS SWITCHED WHAT WAS PASSNEGER SIDE IS NOW DRIVER SIDE

JOHN DEERE REAR ROLLTUBE ASSEMBLY

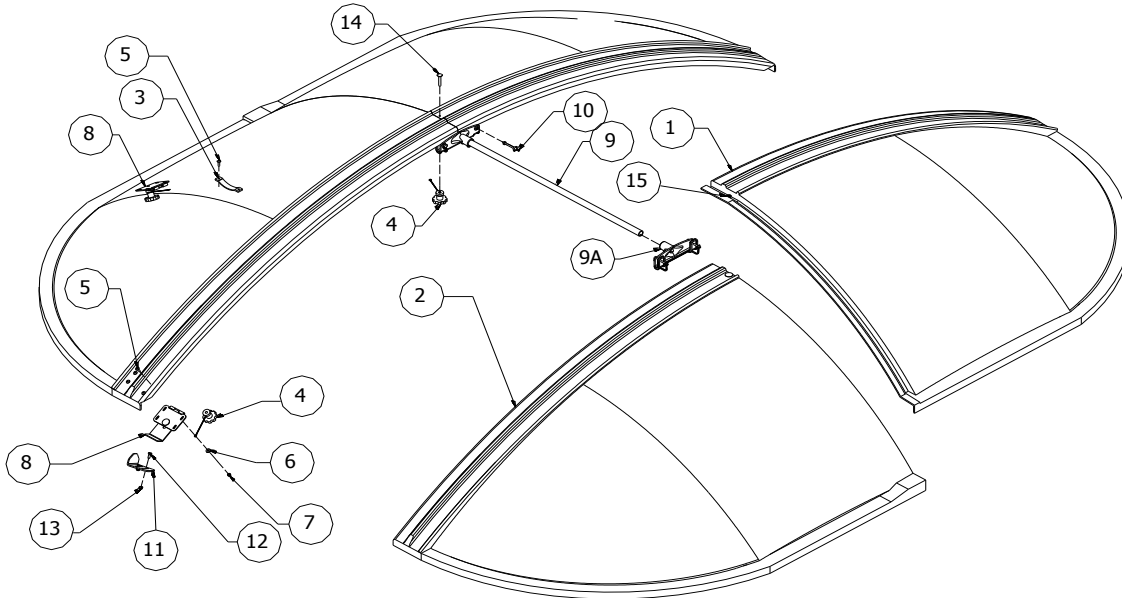
| REF | PART # | DESCRIPTION | QTY |
|------|-------------|-------------------------------------|-----|
| 1 | 0007-000151 | REAR JD ROLLTUBE MOUNTING BRACKET | 1 |
| 2 | 0105-000108 | 5/16 X 2-1/2 HEX BOLT | 1 |
| 3 | 0001-092101 | SUPER TORK MOTOR C/W SHAFT | 1 |
| 4 | 0007-000152 | REAR JD ROLLTUBE | 1 |
| 5 | 0115-000008 | US205-16 SELF ALIGNING BEARING | 1 |
| 6 | 0115-001000 | 52MM-2BOLT FLANGE | 1 |
| - | 0104-000002 | 1/4" X 3/8" SET SCREW | 1 |
| 8 | 0007-000002 | STRAP PULLEY c/w (4) of 0104-000002 | 1 |
| 9 | 0110-000019 | 1/4"X3-1/2" QUICK PIN | 1 |
| 10 | 0105-000101 | 5/16" X 3/4" HEX BOLT | 1 |
| 11 | 0105-009101 | 5/16" X 3/4" CARRIAGE HEAD BOLT | 1 |
| 12 | 0101-001201 | 5/16" LOCK WASHER | 1 |
| 13 | 0100-001101 | 5/16" NYLON PLATED | 1 |
| 14 | 0105-009210 | 3/8" X 3 CARRIAGE HEAD BOLT | 1 |
| 15 | 0113-400002 | PLASTIC 3/8" FEMALE KNOB | 1 |
| 1-15 | 0007-000150 | REAR JD ROLLTUBE ASSEMBLY | 1 |



JOHN DEERE HOOD ASSEMBLY

| REF | PART # | DESCRIPTION | QTY |
|-----|-------------|----------------------------------|-----|
| 1 | 0113-400003 | PLASTIC JOHN DEERE HOOD - TROUGH | 1 |
| 2 | 0113-400004 | PLASTIC JOHN DEERE HOOD - LIP | 1 |
| 3 | 0007-000014 | STRAP HANDLE | 1 |
| 4 | 0007-000013 | 3/8" PLASTIC KNOB c/w CABLE | 1 |
| 5 | 0105-007003 | 1/4"X1" TRUSS HEAD BOLT | 1 |
| 6 | 0101-001000 | 1/4" FLAT WASHER | 1 |
| 7 | 0100-001100 | 1/4" NYLON LOCK NUT | 1 |
| 8 | 0007-000012 | HOOD CLAMP - 1-3/4" | 1 |
| 9 | 0007-000171 | MIDDLE SUPPORT BRACKET - JD | 1 |
| 9A | 0113-400019 | MIDDLE SUPPORT BRACKET END | 1 |
| 10 | 0110-000018 | 1/4"X1-3/4" QUICK LOCK PIN | 1 |
| 11 | 0007-000172 | HOOD PLACEMENT BRACKET | 1 |
| 12 | 0105-000101 | 5/16" X 3/4" HEX BOLT | 1 |
| 13 | 0100-001101 | 5/16" NYLOK PLATED | 1 |
| 14 | 0105-009208 | 3/8" X 2-1/4" CARRIAGE HEAD BOLT | 1 |
| 15 | 0100-001302 | 3/8" SERRATED FLANGE LOCK NUT | 1 |

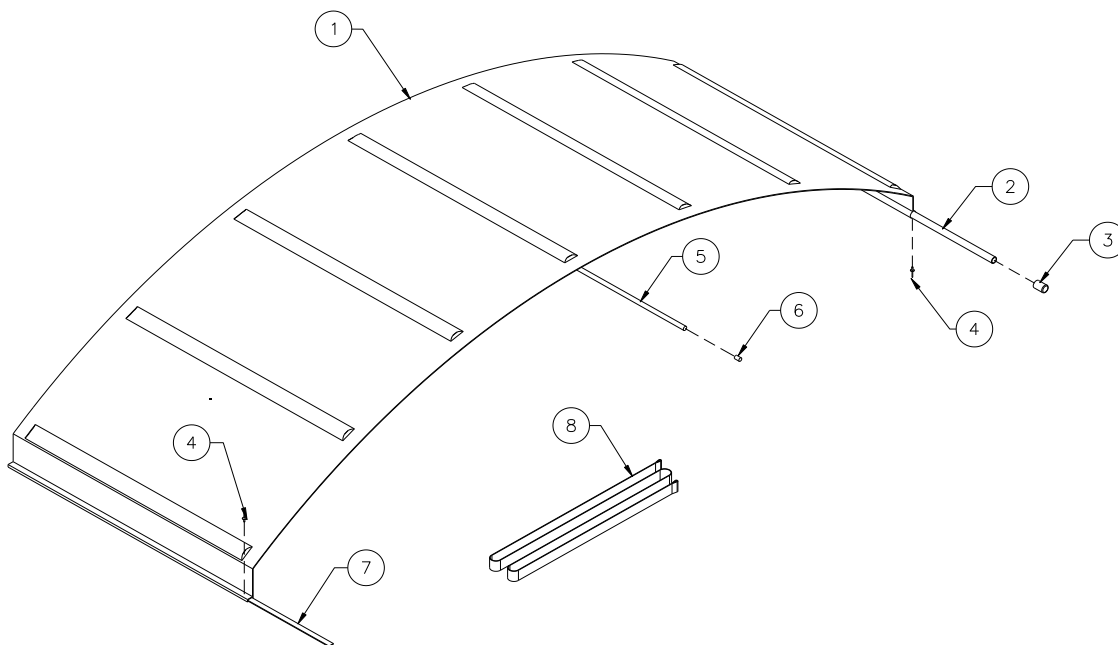
MUST SPECIFY COLOR OF HOODS (BLACK OR YELLOW)



JOHN DEERE TARP ASSEMBLY

| REF | PART # | DESCRIPTION | QTY |
|-----|-------------|---|-----|
| 1 | 0007-000180 | JOHN DEERE REPLACEMENT TARP - 19oz BLACK OR YELLOW OR GREEN | 1 |
| 2 | 0007-000181 | REAR REINFORCEMENT PIPE - JD | 1 |
| 3 | 0113-000020 | PIPE CAP | 1 |
| 4 | 0103-000005 | 3/16"X13/16" POP RIVET | 1 |
| 5 | 0007-000182 | TARP SUPPORT PIPE - JD | 1 |
| 6 | 0113-400006 | 1 1/16" CENTER ROD CAP | 1 |
| 7 | 0113-001000 | FIBREGLASS FLAT | FT |
| 8 | 0007-000183 | PULL STRAPS - 168" FM | 1 |

JST SPECIFY COLOR OF TARP (BLACK OR YELLOW OR GREE



JOHN DEERE ELECTRIC ASSEMBLY

| REF | PART # | DESCRIPTION | QTY |
|------|-------------|-------------------------------------|-----|
| 1 | 0145-400002 | ROCKER SWITCH | 1 |
| 2 | 0105-000003 | 1/4"X1" HEX BOLT | 1 |
| 3 | 0100-001100 | 1/4" NYLOK PLATED | 1 |
| 4 | N/A | WIRE END 14GA-1/4" PUSH ON | 1 |
| 5 | N/A | WIRE END 14G - 3/8" | 1 |
| 6 | 0145-100007 | 14G-3 WIRE | FT |
| 7 | 0145-400003 | REVERSE DC CONTACTOR | 1 |
| 8 | N/A | REVERSE DC CONTACTOR COVER | 1 |
| 9 | N/A | WIRE END 6GA - 3/8" | 1 |
| 10 | 0145-100015 | 50 AMP CIRCUIT BREAKER | 1 |
| 11 | N/A | WIRE END 6GA #10 | 1 |
| 1-11 | 0145-400015 | 50 AMP ROCKER SWITCH ELECTRICAL KIT | 1 |
| 12 | 0145-120015 | #6 DOUBLE STRANDS WIRE | FT |
| 14 | 0145-200005 | 3/4" WIRE CLIP (1 PER 3 FT) | 1 |
| 15 | 0125-001002 | 7" TIE STRAPS | 1 |
| 16 | N/A | WIRE END #6 - 1/4" | 1 |
| 17 | 0145-400007 | WIRE CLIPS - 3/8" | 1 |

