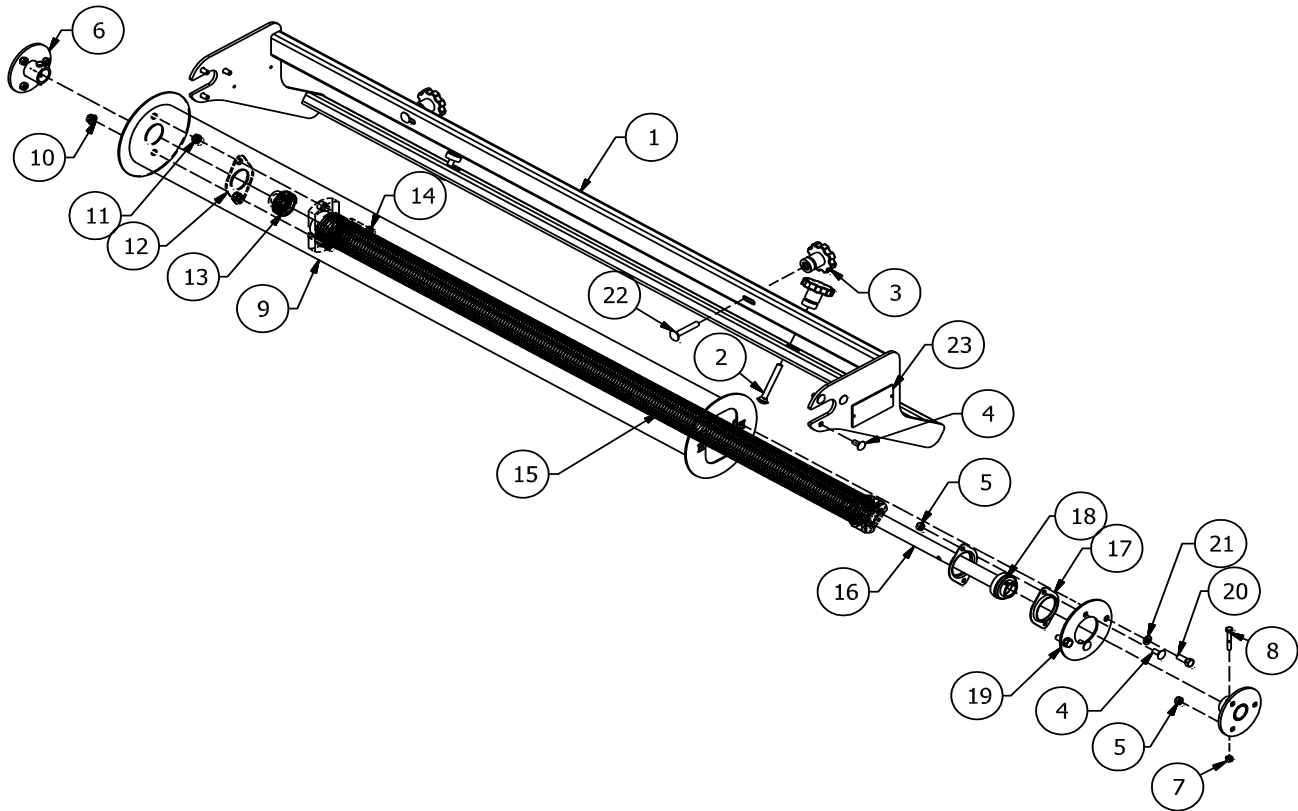


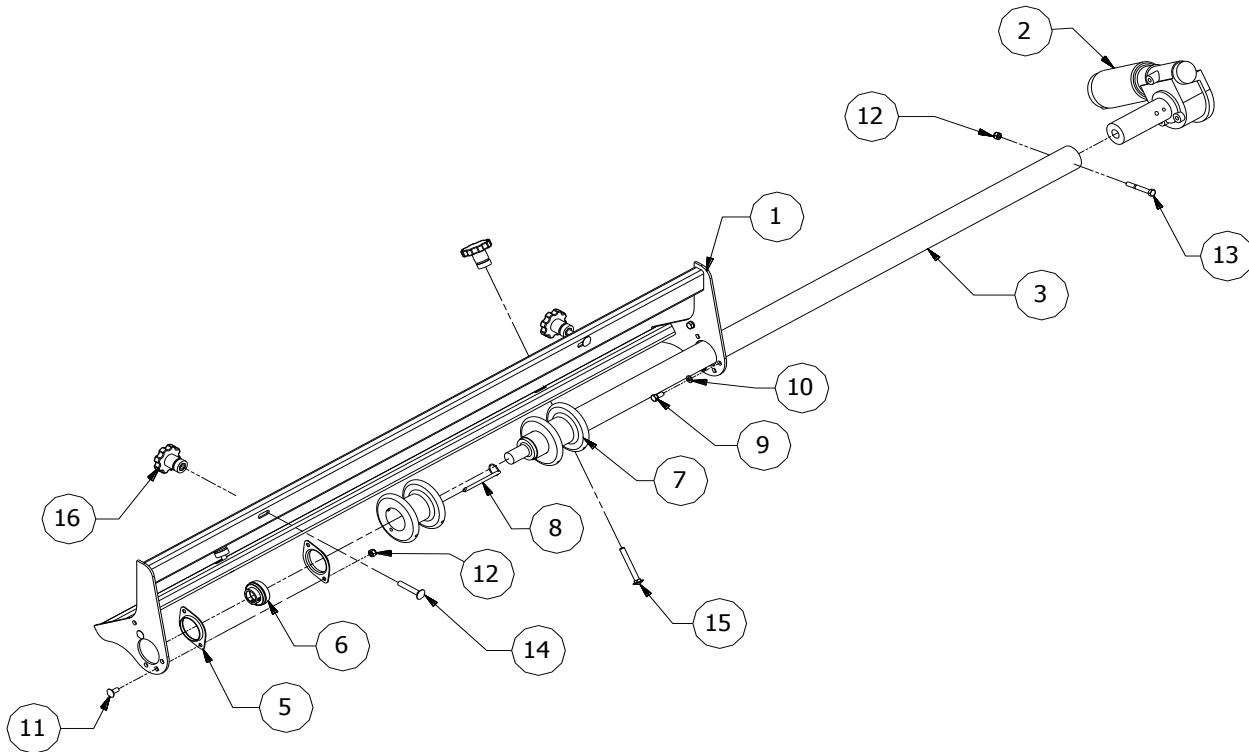
JOHN DEERE BIG TOP FRONT ROLLTUBE ASSEMBLY

REF	PART #	DESCRIPTION	QTY
1	0007-000501	FRONT JD BIG TOP MOUNTING BRACKET	1
2	0105-009210	3/8"X3" CARRIAGE HEAD BOLT	1
3	0113-400002	PLASTIC 3/8" FEMALE KNOB - SHORT	1
4	0105-009101	5/16"X3/4" CARRIAGE HEAD BOLT	1
5	0100-001101	5/16" NYLOK PLATED	1
6	0007-000001	FRONT ROLLTUBE MOUNT	1
7	0100-001100	1/4" NYLON LOCK NUT	1
8	0105-000006	1/4"- 20 X 1_3/4" HEX BOLT	1
9	0007-000102	FRONT JD ROLLTUBE	1
10	0100-001302	3/8" SERRATED FLANGE LOCK NUT	1
11	0100-001002	3/8" HEX NUT	1
12	0002-040607	BEARING FLANGE	1
13	0115-000006	SA205-16 BEARING	1
14	0105-000205	3/8" X 1-3/4" HEX BOLT	1
15	0007-000103	TORSION SPRING ASSEMBLY - JD	1
16	0007-000104	1" ALUMINUM FRONT SHAFT - JD	1
17	0115-001000	52MM - 2 BOLT FLANGE	1
18	0115-000008	UC205-16 SELF ALIGNING BEARING	1
19	0160-007003	ROLLTUBE - SHAFT ENDCAP	1
20	0105-000202	3/8" X 1 HEX BOLT	1
21	0101-001202	3/8" LOCK WASHER	1
22	0105-009208	3/8" X 2-1/4" CARRIAGE HEAD BOLT	1
23	0114-000008	SERIAL NUMBER PLATE	1



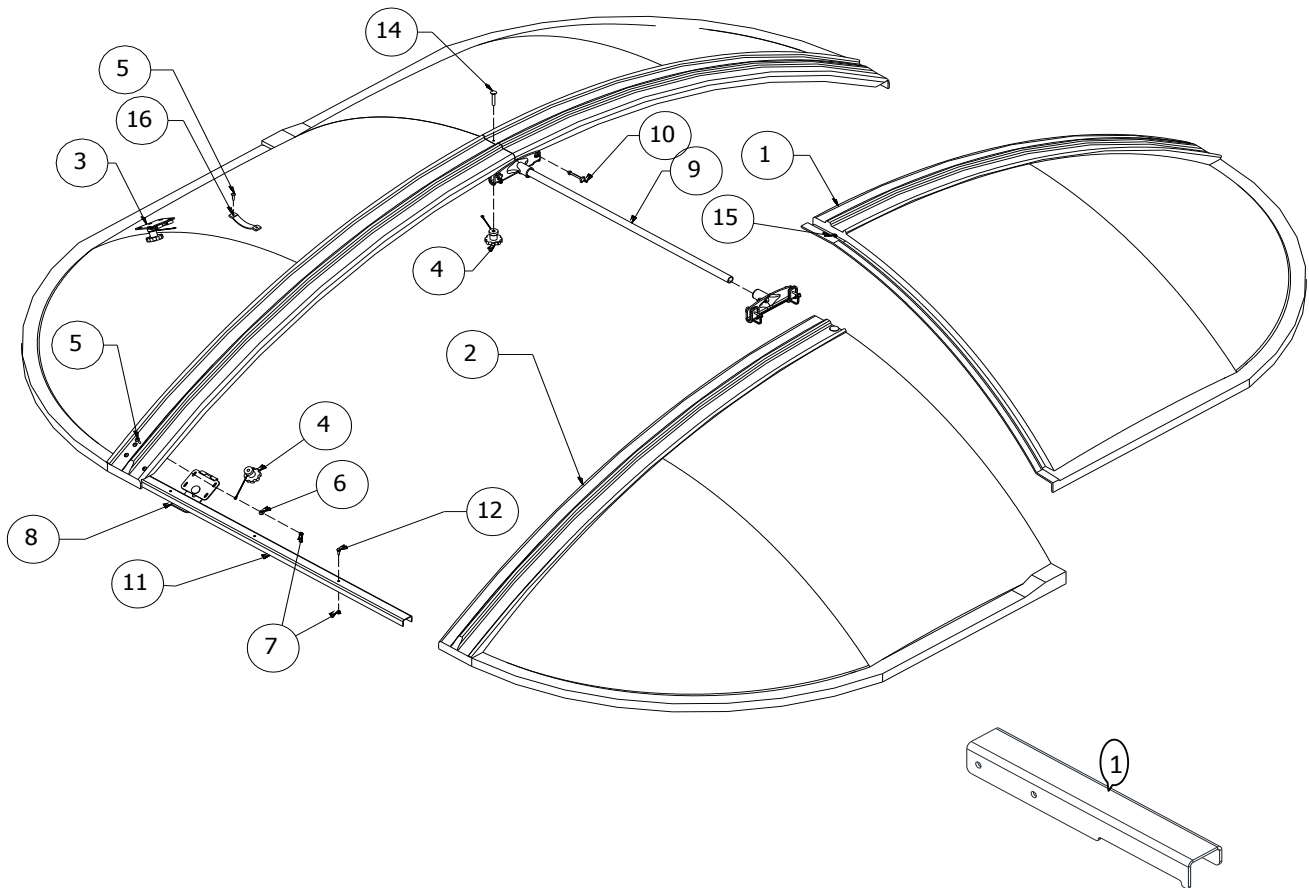
JOHN DEERE REAR ROLLTUBE ASSEMBLY

REF	PART #	DESCRIPTION	QTY
1	0007-000551	REAR JD BIG TOP MOUNTING BRACKET	1
2	0001-092101	SUPER TORK MOTOR C/W SHAFT	1
3	0007-000252	REAR CNH ROLLTUBE	1
5	0115-001000	52MM-2BOLT FLANGE	1
6	0115-000008	US205-16 SELF ALIGNING BEARING	1
7	0007-000002	STRAP PULLEY c/w (4) of 0104-000002	1
8	0110-000019	1/4"X3-1/2" QUICK PIN	1
9	0105-000101	5/16" X 3/4" HEX BOLT	1
10	0101-001201	5/16" LOCK WASHER	1
11	0105-009101	5/16" X 3/4" CARRIAGE HEAD BOLT	1
12	0100-001101	5/16" NYLOK PLATED	1
13	0105-000108	5/16 X 2-1/2 HEX BOLT	1
14	0105-009208	3/8" X 2-1/4" CARRIAGE HEAD BOLT	1
15	0105-009211	3/8"X3-1/4" CARRIAGE HEAD BOLT	1
16	0113-400002	PLASTIC 3/8" FEMALE KNOB	1
1-15	0007-000150	REAR JD ROLLTUBE ASSEMBLY	1



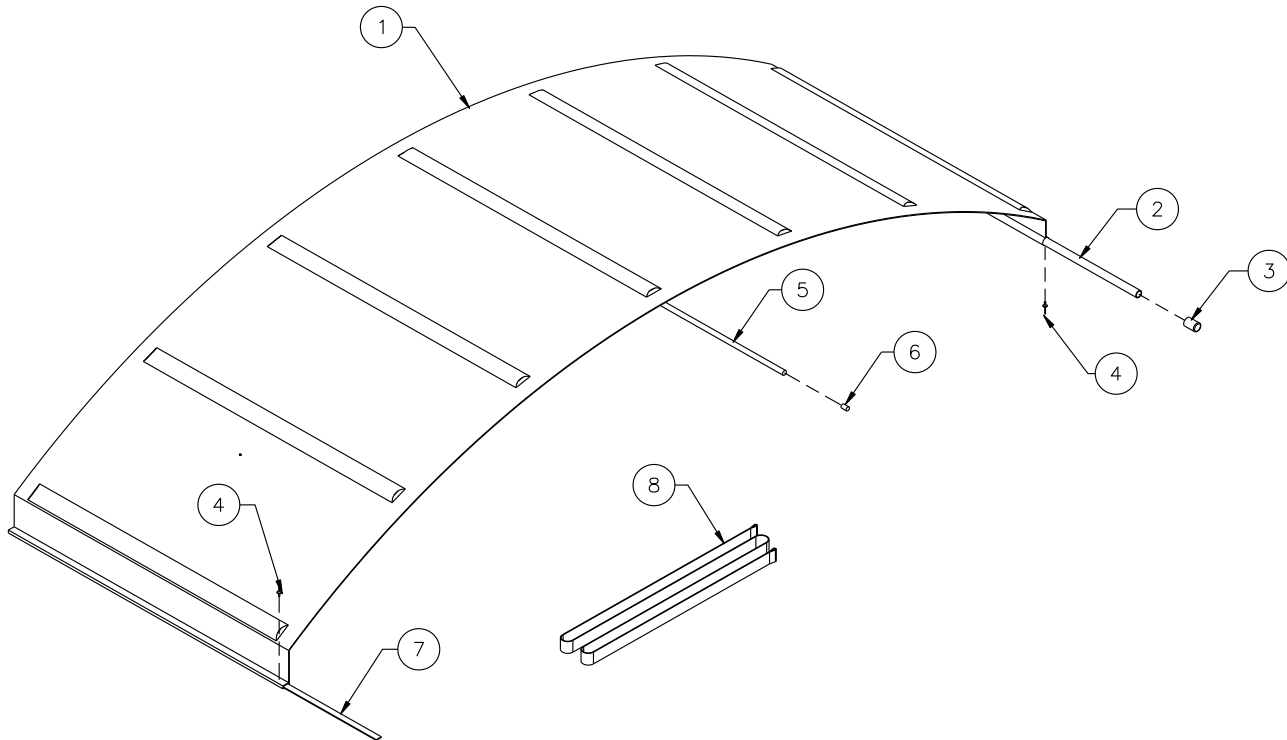
JOHN DEERE BIG TOP HOOD ASSEMBLY

REF	PART #	DESCRIPTION	QTY
1	0113-400003	PLASTIC JOHN DEERE HOOD - TROUGH	1
2	0113-400004	PLASTIC JOHN DEERE HOOD - LIP	1
3	0007-000571	HOOD CLAMP - JD BIG TOP	1
4	0007-000013	3/8" PLASTIC KNOB c/w CABLE	1
5	0105-007003	1/4"X1" TRUSS HEAD BOLT	1
6	0101-001000	1/4" FLAT WASHER	1
7	0100-001100	1/4" NYLON LOCK NUT	1
8	0007-000012	HOOD CLAMP - 1-3/4"	1
9	0007-000171	MIDDLE SUPPORT BRACKET - JD	1
10	0110-000018	1/4"X1-3/4" QUICK LOCK PIN	1
11	0007-000572	HOOD SUPPORT CHANNEL	1
12	0105-000002	1/4"X3/4" HEX BOLT	1
14	0105-009208	3/8" X 2-1/4" CARRIAGE HEAD BOLT	1
15	0100-001302	3/8" SERRATED FLANGE LOCK NUT	1
16	0007-000014	STRAP HANDLE	1
17	0007-001262	BIG TOP REAR RIGHT EXTENSION U	1
N/A	0007-000582	VINYL CORNER LARGE - GREEN	1
N/A	0007-000583	VINYL CORNER SMALL - GREEN	1
N/A	0149-000217	FOAM TAPE 3/4"HX1"W	FT



JOHN DEERE BIG TOP FRONT ROLLTUBE ASSEMBLY

REF	PART #	DESCRIPTION	QTY
1	0007-000180	JOHN DEERE REPLACEMENT TARP - 19oz BLACK OR YELLOW OR GREEN	1
2	0007-000181	REAR REINFORCEMENT PIPE - JD	1
3	0113-000020	PIPE CAP	1
4	0103-000005	3/16"X13/16" POP RIVET	1
5	0007-000182	TARP SUPPORT PIPE - JD	1
6	0113-400006	1 1/16" CENTER ROD CAP	1
7	0113-001000	FIBREGLASS FLAT	FT
8	0007-000581	PULL STRAPS - JD BT - 178"	1
N/A	0007-000582	VINYL CORNER LARGE - GREEN	1
N/A	0007-000583	VINYL CORNER SMALL - GREEN	1
N/A	0149-000217	FOAM TAPE 3/4"HX1"W	FT



JOHN DEERE BIG TOP FRONT ROLLTUBE ASSEMBLY

REF	PART #	DESCRIPTION	QTY
1	0145-400002	ROCKER SWITCH	1
2	0105-000003	1/4"X1" HEX BOLT	1
3	0100-001100	1/4" NYLOK PLATED	1
4	N/A	WIRE END 14GA-1/4" PUSH ON	1
5	N/A	WIRE END 14G - 3/8"	1
6	0145-100007	14G-3 WIRE	FT
7	0145-400003	REVERSE DC CONTACTOR	1
8	N/A	REVERSE DC CONTACTOR COVER	1
9	N/A	WIRE END 6GA - 3/8"	1
10	0145-100015	50 AMP CIRCUIT BREAKER	1
11	N/A	WIRE END 6GA #10	1
1-11	0145-400015	50 AMP ROCKER SWITCH ELECTRICAL KIT	1
12	0145-120015	#6 DOUBLE STRANDS WIRE	FT
14	0145-200005	3/4" WIRE CLIP (1 PER 3 FT)	1
15	0125-001002	7" TIE STRAPS	1
16	N/A	WIRE END #6 - 1/4"	1
17	0145-400007	WIRE CLIPS - 3/8"	1

