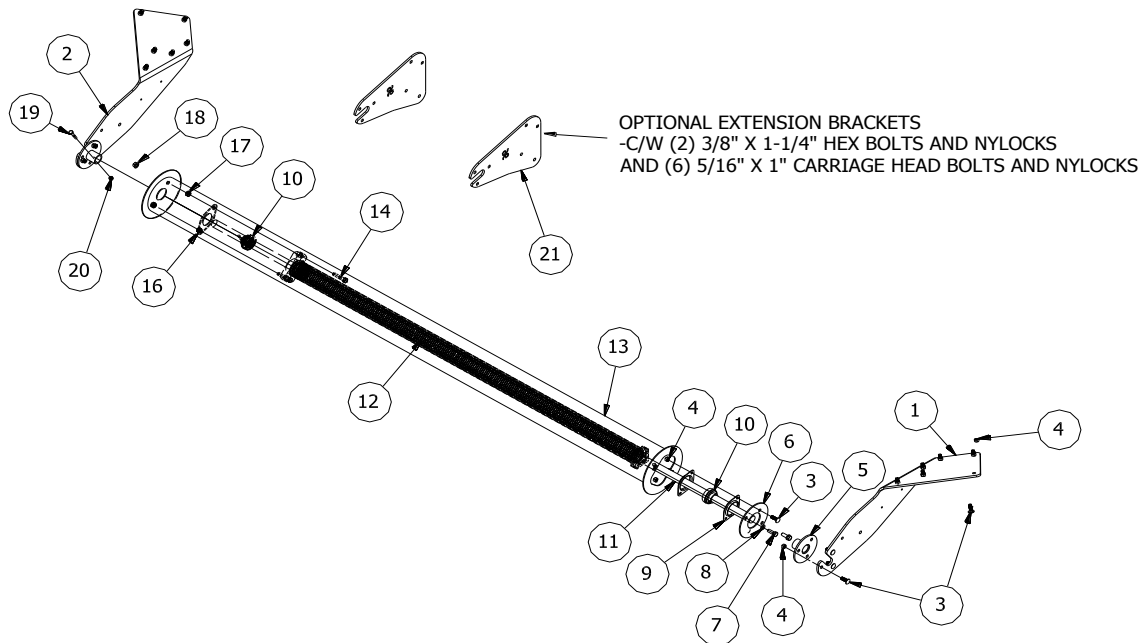


## JOHN DEERE 9600 MAURER FRONT ROLLTUBE ASSEMBLY

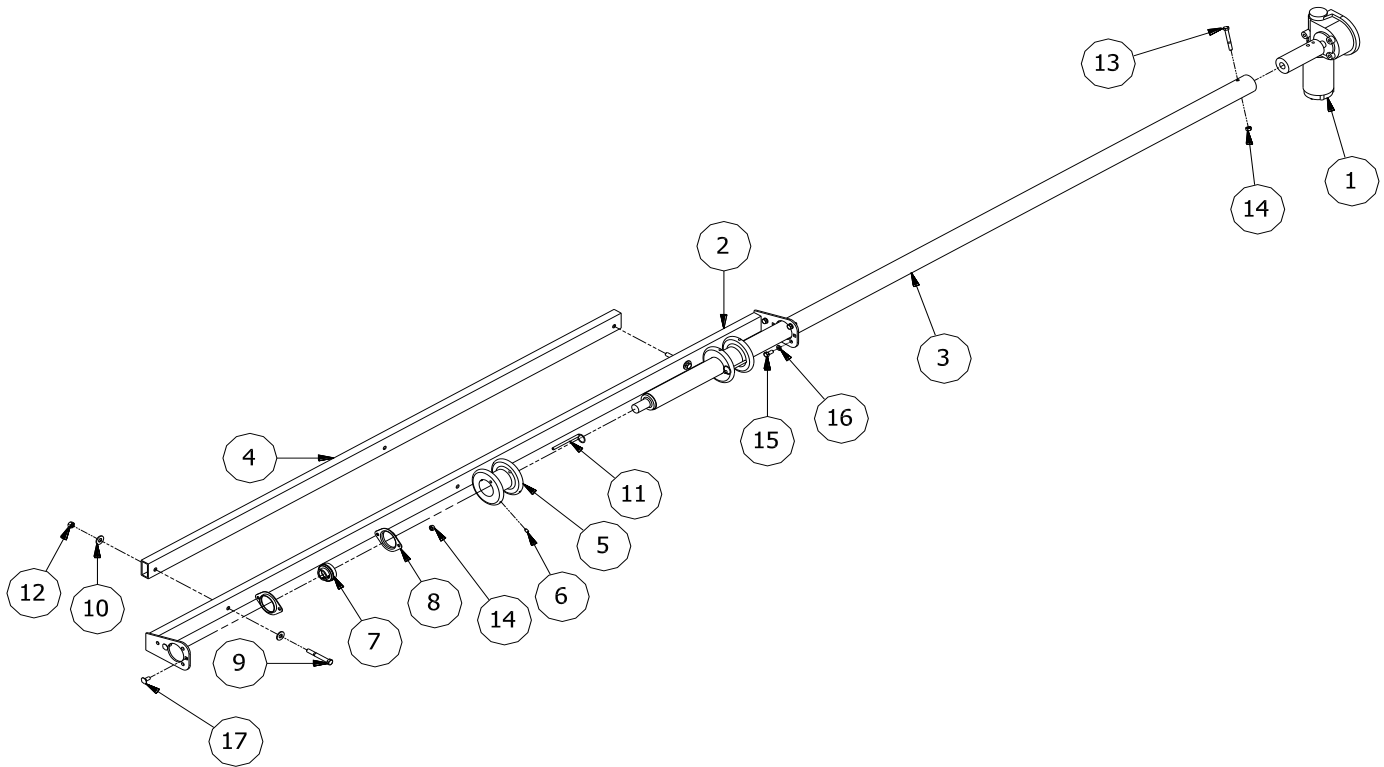
REF	PART #	DESCRIPTION	QTY
1	0007-000803	FRONT DRIVER ROLLTUBE MOUNTING BRACKET	1
2	0007-000804	FRONT PASSENGER ROLLTUBE MOUNTING BRACKET	1
3	0105-009102	5/16" X 1 CARRIAGE HEAD BOLT	1
4	0100-001101	5/16" NYLOK PLATED	1
5	0007-000001	FRONT ROLLTUBE MOUNT	1
6	0160-007003	ROLLTUBE - SHAFT ENDCAP	1
7	0105-000202	3/8" X 1 HEX BOLT	1
8	0101-001202	3/8" LOCK WASHER	1
9	0115-001000	52MM - 2 BOLT FLANGE	1
10	0115-000008	UC205-16 SELF ALIGNING BEARING	1
11	0007-000802	ALUMINUM FRONT SHAFT - 86"	1
-	0110-000006	1/4" x 1-1/4" ROLL PIN	1
12	0002-040612	TORSION SPRING c/w ENDS	1
13	0007-000801	FRONT ALUMINUM ROLLTUBE - 80"	1
14	0105-000205	3/8" X 1-3/4" HEX BOLT	1
15	0115-000006	SA205-16 SELF ALIGNING BEARING	1
16	0002-040607	BEARING FLANGE	1
17	0100-001002	3/8" HEX NUT	1
18	0100-001302	3/8" SERRATED FLANGE LOCK NUT	1
19	0105-000006	1/4" - 20 X 1_3/4" HEX BOLT	1
20	0100-001100	1/4" NYLON LOCK NUT	1

-	HP-JD96MR8TP	JD 9600 MAUER 8" TIP UP KIT C/W FOLLOWING PARTS	1
21	0160-007027R0	9600 MAUER 8" EXT. PLATE	1
-	0105-009102	5/16" X 1 CARRIAGE HEAD BOLT	1
-	0100-001101	5/16" NYLOK PLATED	1
-	0105-000203	3/8" X 1-1/4" HEX BOLT	1
-	0100-001102	3/8" NYLOCK NUT	1



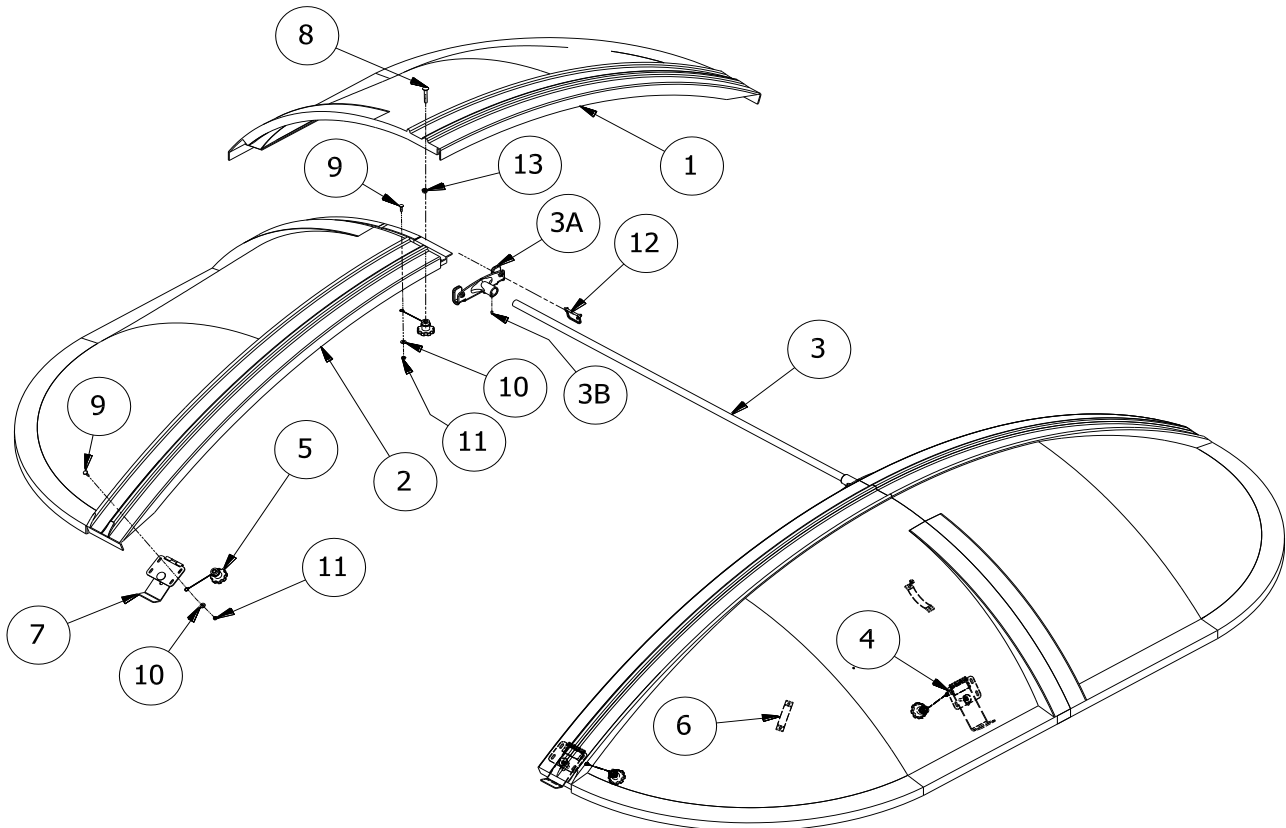
### JOHN DEERE 9600 MAURER REAR ROLLTUBE ASSEMBLY

REF	PART #	DESCRIPTION	QTY
1	0001-092101	SUPER TORK MOTOR C/W SHAFT	1
2	0007-000851	REAR ROLLTUBE BRACKET - JD96MREXT	1
3	0007-000853	REAR ROLLTUBE - 85"	1
4	0007-000852	REAR SPACER TUBING - 67"	1
5	0007-000002	STRAP PULLEY c/w (4) of 0104-000002	1
6	0104-000002	1/4" x 3/8" SET SCREW	1
7	0115-000008	UC205-16 SELF ALIGNING BEARING	1
8	0115-001000	52MM - 2 BOLT FLANGE	1
9	0105-000210	3/8" X 3" HEX BOLT	1
10	0101-001002	3/8" FLAT WASHER	1
11	0110-000019	1/4"X3-1/2" QUICK PIN	1
12	0100-001102	3/8" NYLON LOCK NUT	1
13	0105-000108	5/16 X 2-1/2 HEX BOLT	1
14	0100-001101	5/16" NYLOK PLATED	1
15	0105-000101	5/16" X 3/4" HEX BOLT	1
16	0101-001201	5/16" LOCK WASHER	1
17	0105-009101	5/16" X 3/4" CARRIAGE HEAD BOLT	1



### JOHN DEERE 9600 MAURER HOOD ASSEMBLY

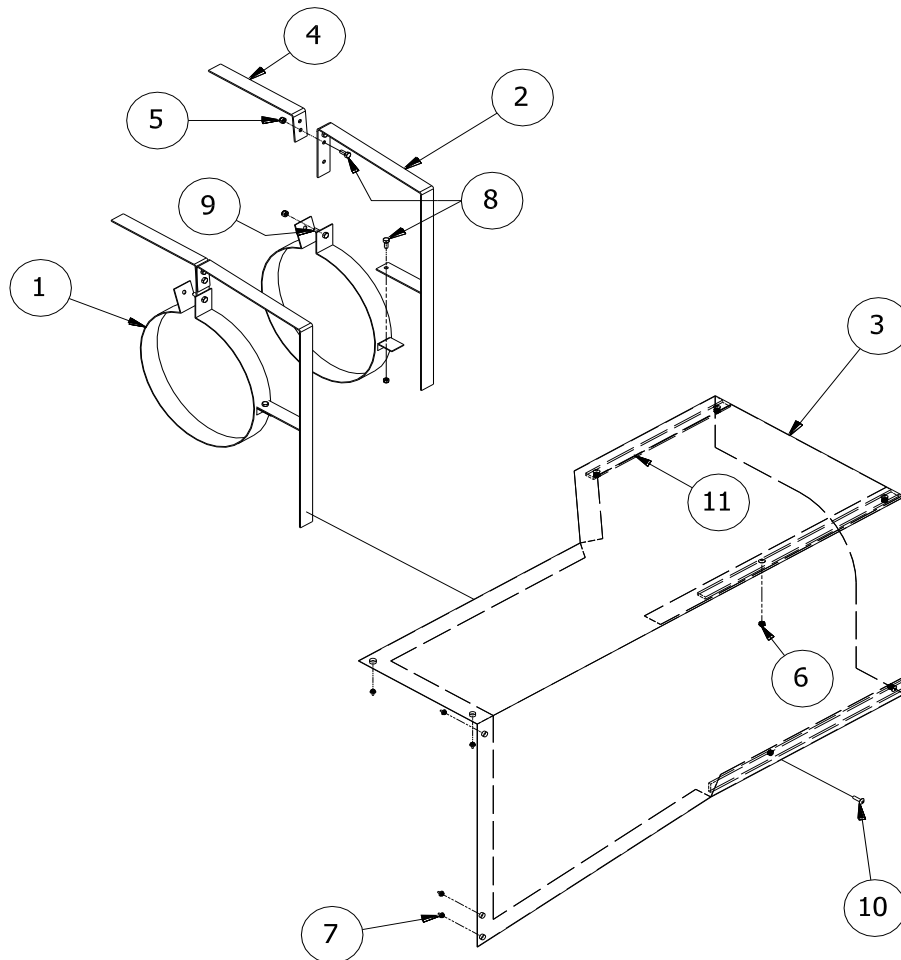
REF	PART #	DESCRIPTION	QTY
1	0113-400020	CR 960-940 HOOD - LIP/ DECAL-YELLOW	1
2	0113-400021	CR 960-940 HOOD - TROUGH/ NO DECAL-YELLOW	1
3	0007-000861	MIDDLE SUPPORT BRACKET - 66-1/2"	1
3A	0113-400019	MIDDLE SUPPORT BRACKET END	1
3B	0104-000002	1/4" x 3/8" SET SCREW	1
4	0007-000862	HOOD LATCH- JD96MREXT	1
5	0007-000013	3/8" PLASTIC KNOB c/w CABLE	1
6	0007-000014	STRAP HANDLE	1
7	0007-000012	HOOD CLAMP - 1-3/4"	1
8	0105-009208	3/8" X 2-1/4" CARRIAGE HEAD BOLT	1
9	0105-007003	1/4"X1" TRUSS HEAD BOLT	1
10	0101-001000	1/4" FLAT WASHER	1
11	0100-001100	1/4" NYLON LOCK NUT	1
12	0110-000018	1/4"X1-3/4" QUICK LOCK PIN	1
13	0100-001302	3/8" SERRATED FLANGE LOCK NUT	1





### JOHN DEERE 9600 MAUER UNLOADING AUGER TARP ASSEMBLY

REF	PART #	DESCRIPTION	QTY
1	0007-000874	AUGER CLAMP - 14"	1
2	0007-000871	MAIN TARP BRACE	1
3	0007-000873	UNLOADING AUGER TARP	1
4	0007-000872	END BRACE	1
5	0100-001101	5/16" NYLOK PLATED	1
6	0100-001100	1/4" NYLON LOCK NUT	1
7	0121-000200	DURA SNAP 38" SCREW STUD	1
8	0105-000101	5/16" X 3/4" HEX BOLT	1
9	0105-000103	5/16" X 1-1/4" HEX BOLT	1
10	0105-007003	1/4"X1" TRUSS HEAD BOLT	1
11	0113-001000	FIBREGLASS FLAT	FT



## JOHN DEERE 9600 MAURER ELECTRIC ASSEMBLY

REF	PART #	DESCRIPTION	QTY
1	0145-400002	ROCKER SWITCH	1
2	0105-000003	1/4"X1" HEX BOLT	1
3	0100-001100	1/4" NYLOK PLATED	1
4	N/A	WIRE END 14GA-1/4" PUSH ON	1
5	N/A	WIRE END 14G - 3/8"	1
6	0145-100007	14G-3 WIRE	FT
7	0145-400003	REVERSE DC CONTACTOR	1
8	N/A	REVERSE DC CONTACTOR COVER	1
9	N/A	WIRE END 6GA - 3/8"	1
10	0145-100015	50 AMP CIRCUIT BREAKER	1
11	N/A	WIRE END 6GA #10	1
1-11	0145-400015	50 AMP ROCKER SWITCH ELECTRICAL KIT	1
12	0145-120015	#6 DOUBLE STRANDS WIRE	FT
14	0145-200005	3/4" WIRE CLIP (1 PER 3 FT)	1
15	0125-001002	7" TIE STRAPS	1
16	N/A	WIRE END #6 - 1/4"	1
17	0145-400007	WIRE CLIPS - 3/8"	1

