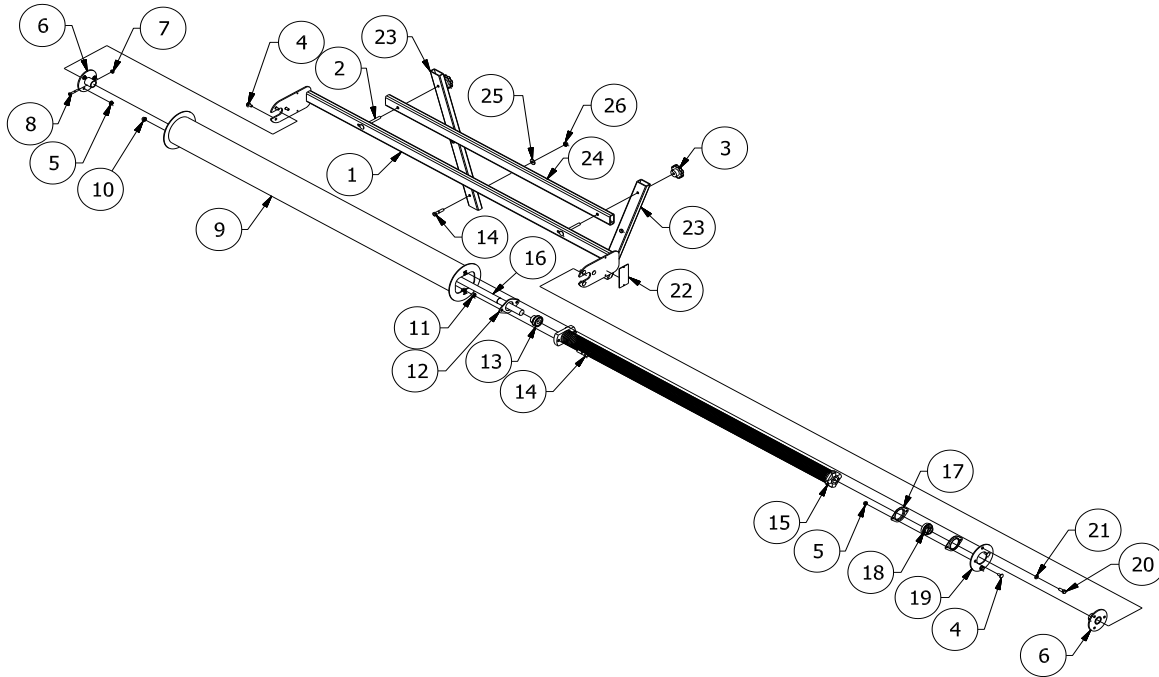


**CASE 2388 FRONT ROLLTUBE ASSEMBLY**

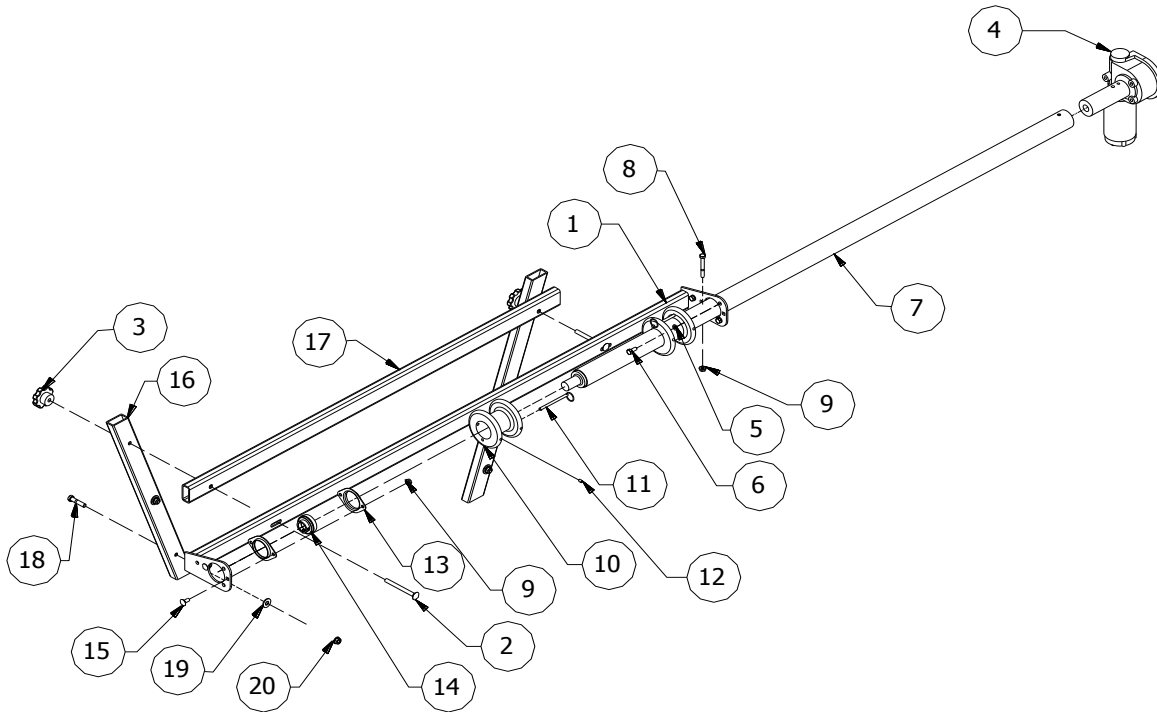
REF	PART #	DESCRIPTION	QTY
1	0007-000201	FRONT CNH MOUNTING BRACKET	1
2	0105-009214	3/8"X4" CARRIAGE HEAD BOLT	1
3	0113-400002	PLASTIC 3/8" FEMALE KNOB - SHORT	1
4	0105-009101	5/16"X3/4" CARRIAGE HEAD BOLT	1
5	0100-001101	5/16" NYLOK PLATED	1
6	0007-000001	FRONT ROLLTUBE MOUNT	1
7	0100-001100	1/4" NYLON LOCK NUT	1
8	0105-000006	1/4"- 20 X 1_3/4" HEX BOLT	1
9	0007-000202	FRONT CNH ROLLTUBE	1
10	0100-001302	3/8" SERRATED FLANGE LOCK NUT	1
11	0100-001002	3/8" HEX NUT	1
12	0002-040607	BEARING FLANGE	1
13	0115-000006	SA205-16 BEARING	1
14	0105-000205	3/8" X 1-3/4" HEX BOLT	1
15	0007-000205	CNH TORSION SPRING c/w ends	1
16	0007-000204	1" ALUMINUM FRONT SHAFT - CNH	1
17	0115-001000	52MM - 2 BOLT FLANGE	1
18	0115-000008	UC205-16 SELF ALIGNING BEARING	1
19	0160-007003	ROLLTUBE - SHAFT ENDCAP	1
20	0105-000202	3/8" X 1 HEX BOLT	1
21	0101-001202	3/8" LOCK WASHER	1
22	0114-000008	SERIAL NUMBER PLATE	1
23	0007-000301	FRONT EXTENSION REINFORCEMENT TUBING	1
24	0007-000302	FRONT ROLLTUBE SPACER	1
25	0101-001002	3/8" FLAT WASHER	1
26	0100-001102	3/8" NYLON LOCK NUT	1



**WITH SERIAL # 2007051 AND UP THE ROLLTUBE ENDS SWITCHED WHAT WAS PASSENGER SIDE IS NOW DRIVER SIDE**

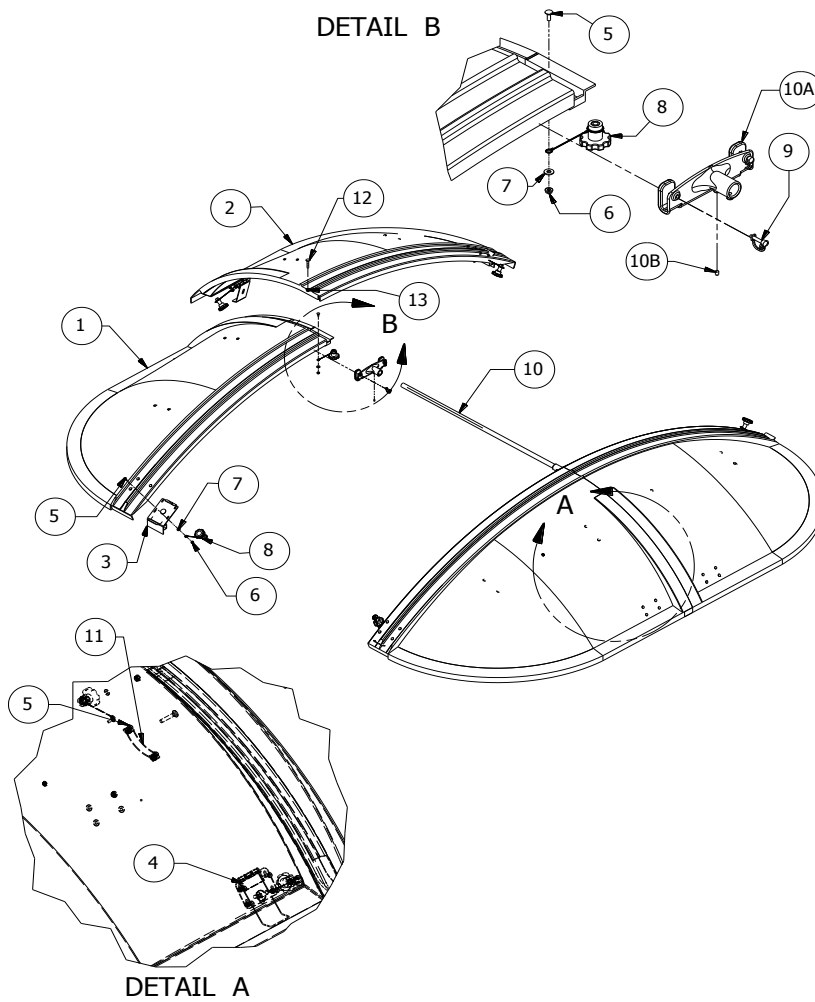
**CASE 2388 REAR ROLLTUBE ASSEMBLY**

REF	PART #	DESCRIPTION	QTY
1	0007-000251	REAR CNH ROLLTUBE MOUNTING BRACKET	1
2	0105-009214	3/8"X4" CARRIAGE HEAD BOLT	1
3	0113-400002	PLASTIC 3/8" FEMALE KNOB	1
4	0001-092101	SUPER TORK MOTOR C/W SHAFT	1
5	0101-001201	5/16" LOCK WASHER	1
6	0105-000101	5/16" X 3/4" HEX BOLT	1
7	0007-000252	REAR CNH ROLLTUBE	1
8	0105-000108	5/16 X 2-1/2 HEX BOLT	1
9	0100-001101	5/16" NYLON PLATED	1
10	0007-000002	STRAP PULLEY c/w (4) of 0104-000002	1
11	0110-000019	1/4"X3-1/2" QUICK PIN	1
12	0104-000002	1/4" x 3/8" SET SCREW	1
13	0115-001000	52MM-2BOLT FLANGE	1
14	0115-000008	US205-16 SELF ALIGNING BEARING	1
15	0105-009101	5/16" X 3/4" CARRIAGE HEAD BOLT	1
16	0007-000351	REAR EXTENSION REINFORCEMENT	1
17	0007-000352	REAR ROLLTUBE SPACER	1
18	0105-000205	3/8" X 1-3/4" HEX BOLT	1
19	0101-001002	3/8" FLAT WASHER	1
20	0100-001102	3/8" NYLON LOCK NUT	1



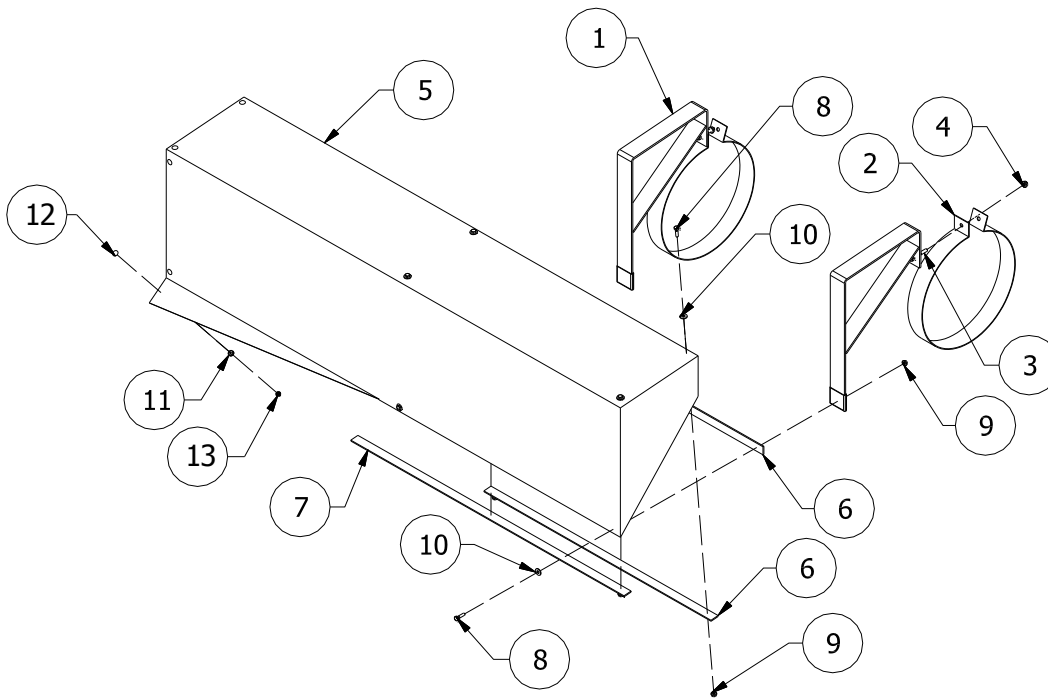
**CASE 2388 HOOD ASSEMBLY**

REF	PART #	DESCRIPTION	QTY
1	0113-400011	PLASTIC CR960,940,9060,9040 + AFX7010,7120 HOOD - TROUGH	1
2	0113-400010	PLASTIC CR960,940,9060,9040 + AFX7010,7120 HOOD - LIP	1
3	0007-000015	HOOD CLAMP - 88	1
4	0007-000012	HOOD CLAMP - 1-3/4"	1
5	0105-007003	1/4"X1" TRUSS HEAD BOLT	1
6	0100-001100	1/4' NYLON LOCK NUT	1
7	0101-001000	1/4" FLAT WASHER	1
8	0007-000013	3/8" PLASTIC KNOB c/w CABLE	1
9	0110-000018	1/4"X1-3/4" QUICK LOCK PIN	1
10	0007-000273	MIDDLE SUPPORT BRACKET - CR960,940,9060,9040 + AFX7010,7120	1
10A	0113-400019	MIDDLE SUPPORT BRACKET END	1
10B	0104-000002	1/4"x 3/8" SET SCREW	1
11	0007-000014	STRAP HANDLE	1
12	0105-009208	3/8" X 2-1/4" CARRIAGE HEAD BOLT	1
13	0100-001302	3/8" SERRATED FLANGE LOCK NUT	1



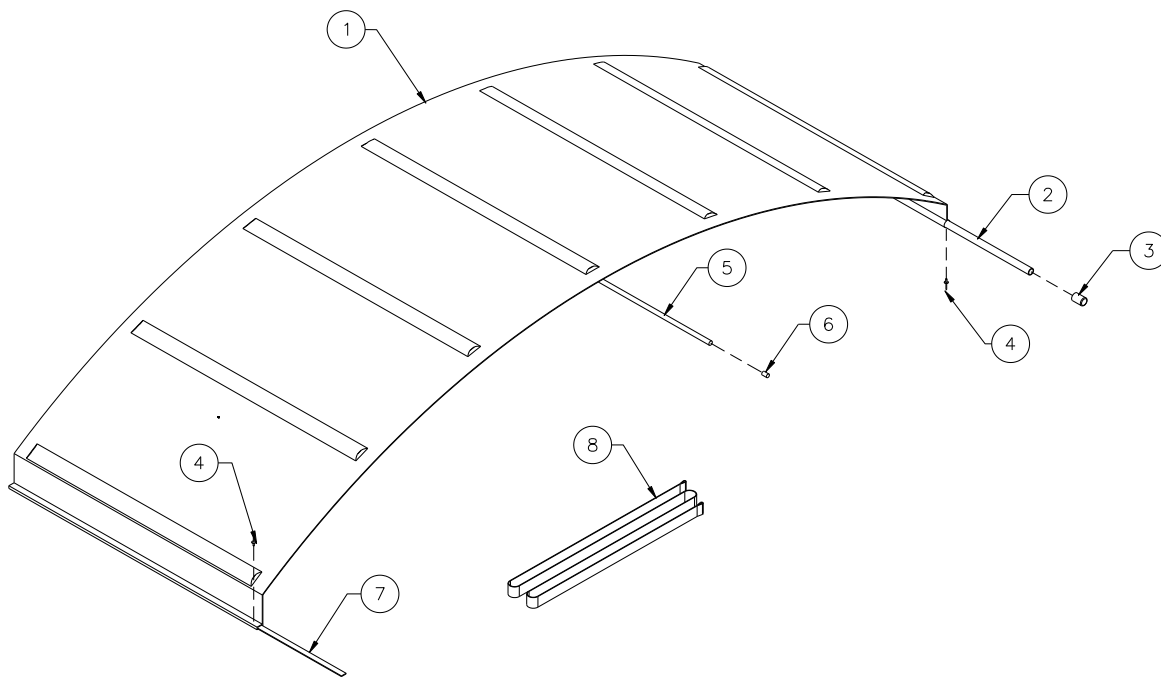
**CASE 2388 UNLOADING AUGER TARP ASSEMBLY**

REF	PART #	DESCRIPTION	QTY
1	0007-000392	UNLOADING TARP BRACE	1
2	0007-000391	AUGER CLAMP - 13	1
3	0105-000106	5/16" X 2" HEX BOLT	1
4	0100-001101	5/16" NYLOK PLATED	1
5	0007-000393	UNLOADING AUGER TARP C/W REF # 11+12	1
6	0007-000393A	FIBERGLASS FLAT X 32-1/2"	1
7	0007-000393B	FIBERGLASS FLAT X 38-1/2"	1
8	0105-000003	1/4"X1" HEX BOLT	1
9	0100-001100	1/4" NYLON LOCK NUT	1
10	0101-001000	1/4" FLAT WASHER	1
11	0121-000207	SNAP SOCKET	1
12	0121-000205	STANDARD BARREL SNAP CAP	1
13	0121-000200	SNAP c/w 3/8" SCREW STUD	1



### CASE 2388 TARP ASSEMBLY

REF	PART #	DESCRIPTION	QTY
1	0007-000284	CR960,940,9060,9040 + AFX7010,7120 REPLACEMENT TARP - 19oz BLACK	1
2	0007-000286	REAR RIENFORCEMENT PIPE - CR960,940,9060,9040 + AFX7010,7120	1
3	0113-000020	PIPE CAP	1
4	0103-000005	3/16"X13/16" POP RIVET	1
5	0007-000287	TARP SUPPORT PIPE - CR960,940,9060,9040 + AFX7010,7120	1
6	0113-400006	11/16" CENTER ROD CAP	1
7	0113-001000	FIBREGLASS FLAT	FT
8	0007-000285	PULL STRAPS - CR960,940,9060,9040 + AFX7010,7120	1



### CASE 2388 ELECTRIC ASSEMBLY

REF	PART #	DESCRIPTION	QTY
1	0145-400002	ROCKER SWITCH	1
2	0105-000003	1/4"X1" HEX BOLT	1
3	0100-001100	1/4" NYLON PLATED	1
4	N/A	WIRE END 14GA-1/4" PUSH ON	1
5	N/A	WIRE END 14G - 3/8"	1
6	0145-100007	14G-3 WIRE	FT
7	0145-400003	REVERSE DC CONTACTOR	1
8	N/A	REVERSE DC CONTACTOR COVER	1
9	N/A	WIRE END 6GA - 3/8"	1
10	0145-100015	50 AMP CIRCUIT BREAKER	1
11	N/A	WIRE END 6GA #10	1
1-11	0145-400015	50 AMP ROCKER SWITCH ELECTRICAL KIT	1
12	0145-120015	#6 DOUBLE STRANDS WIRE	FT
14	0145-200005	3/4" WIRE CLIP (1 PER 3 FT)	1
15	0125-001002	7" TIE STRAPS	1
16	N/A	WIRE END #6 - 1/4"	1
17	0145-400007	WIRE CLIPS - 3/8"	1

