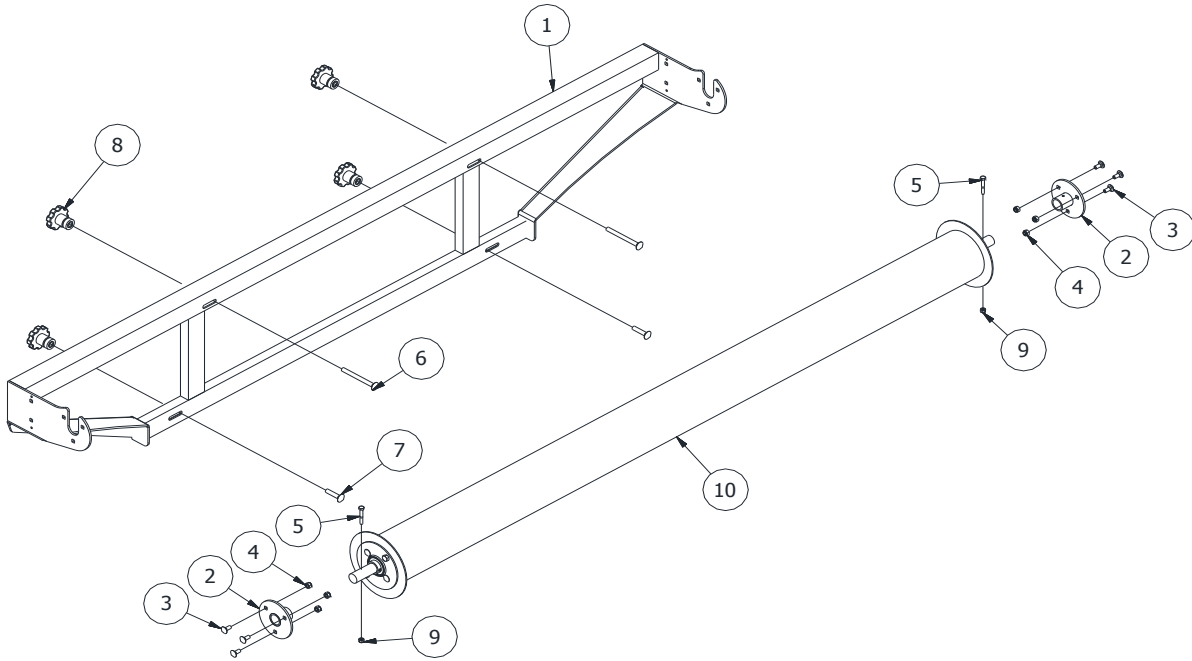


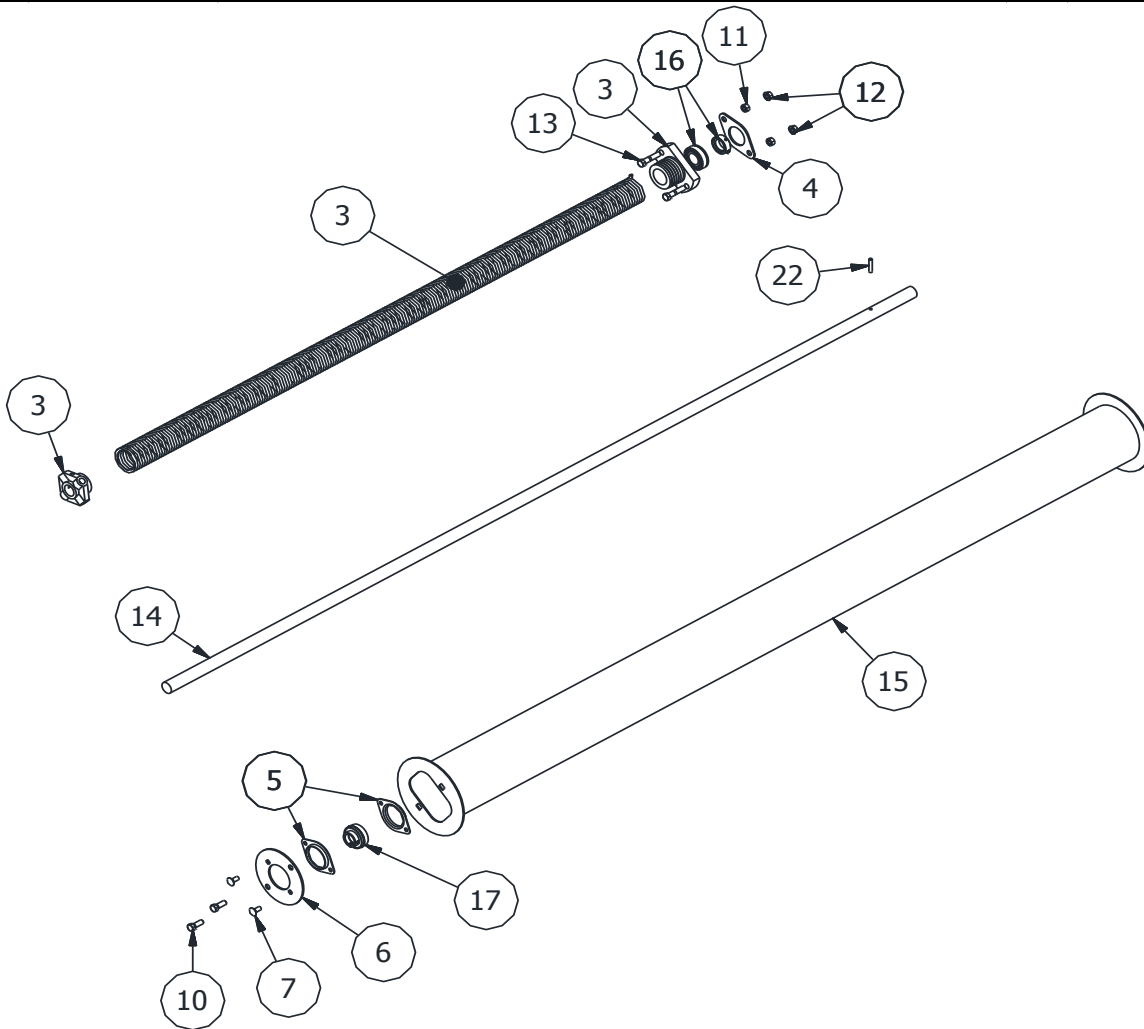
## JOHN DEERE S80/S90 FRONT ASSEMBLY

| REF | PART #      | DESCRIPTION                              | QTY | RETAIL   |
|-----|-------------|--|-----|----------|
| 1   | 0007-001101 | FRONT ROLLTUBE MOUNTING BRACKET          | 1   | \$255.00 |
| 2   | 0007-000001 | FRONT ROLLTUBE MOUNT                     | 1   | #REF!    |
| 3   | 0105-009101 | 5/16" X 3/4" CARRIAGE HEAD BOLT          | 1   | #REF!    |
| 4   | 0100-001101 | 5/16" NYLOK PLATED                       | 1   | #REF!    |
| 5   | 0105-000006 | 1/4"- 20 X 1_3/4" HEX BOLT               | 1   | #REF!    |
| 6   | 0105-009214 | 3/8" x 4" CARRIAGE BOLT, FULL THREAD     | 1   | \$1.09   |
| 7   | 0105-009209 | 3/8" x 1-3/4" CARRIAGE BOLT, FULL THREAD | 1   | \$0.65   |
| 8   | 0113-400002 | PLASTIC 3/8" FEMALE KNOB - SHORT         | 1   | #REF!    |
| 9   | 0100-001100 | 1/4" NYLON LOCK NUT                      | 1   | #REF!    |
| 10  | 0007-001108 | FRONT ROLLTUBE ASSEMBLY                  | 1   | \$390.00 |



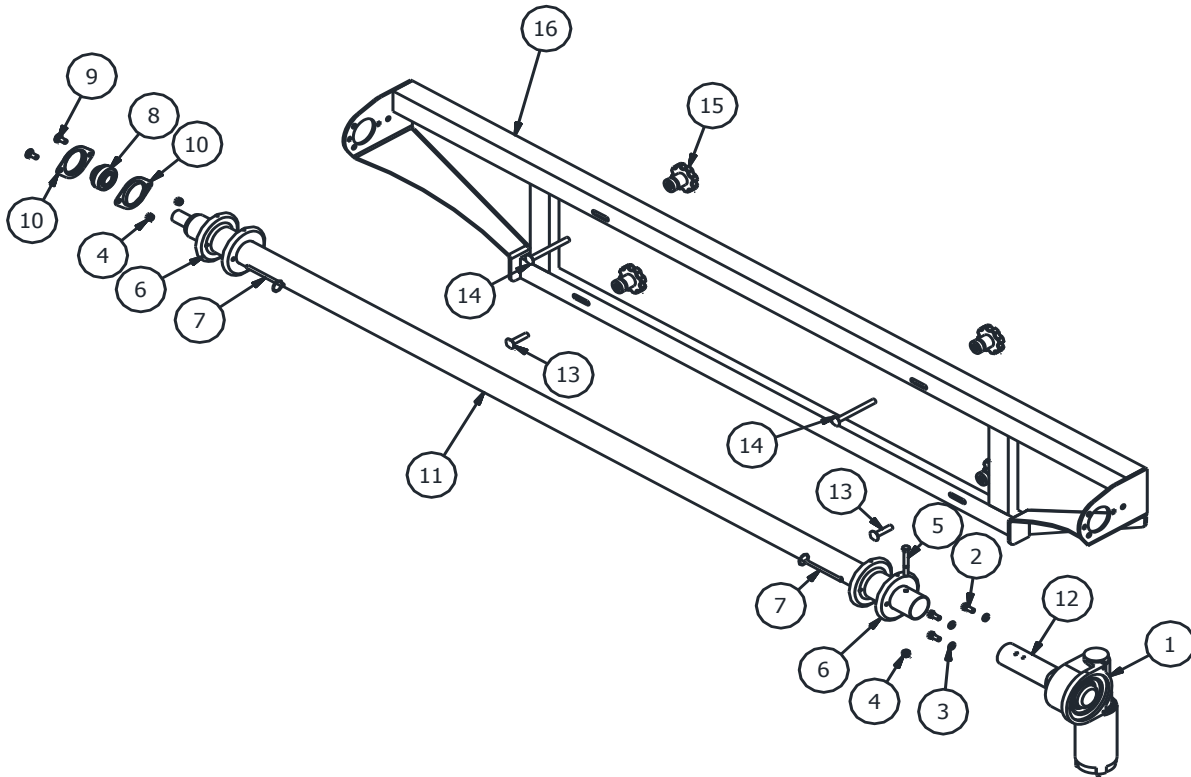
## JOHN DEERE S80/S90 FRONT ROLLTUBE ASSEMBLY

| REF | PART #       | DESCRIPTION                      | QTY | RETAIL   |
|-----|--------------|----------------------------------|-----|----------|
| 3   | 0007-001010  | TORSION SPRING ASSEMBLY - JD     | 1   | #REF!    |
| 4   | 0002-040607  | BEARING FLANGE                   | 1   | #REF!    |
| 5   | 0115-001000  | 52MM - 2 BOLT FLANGE             | 1   | #REF!    |
| 6   | 0160-007003  | ROLLTUBE - SHAFT ENDCAP          | 1   | #REF!    |
| 7   | 0105-009101  | 5/16"X3/4" CARRIAGE HEAD BOLT    | 1   | #REF!    |
| 10  | 0105-000202  | 3/8" X 1 HEX BOLT                | 1   | #REF!    |
| 11  | 0100-001002  | 3/8" HEX NUT                     | 1   | #REF!    |
| 12  | 0100-001302  | 3/8" SERRATED FLANGE LOCK NUT    | 1   | #REF!    |
| 13  | 0105-000205  | 3/8" X 1-3/4" HEX BOLT           | 1   | #REF!    |
| 14  | 0007-001102  | 1" ALUMINUM FRONT ROLLTUBE SHAFT | 1   | \$78.50  |
| 15  | 0007-001108A | FRONT ROLLTUBE                   | 1   | \$135.00 |
| 16  | 0115-000006  | SA205-16 BEARING                 | 1   | #REF!    |
| 17  | 0115-000008  | UC205-16 SELF ALIGNING BEARING   | 1   | #REF!    |
| 22  | 0110-000006  | 1/4" x 1-1/4" ROLL PIN           | 1   | \$0.32   |



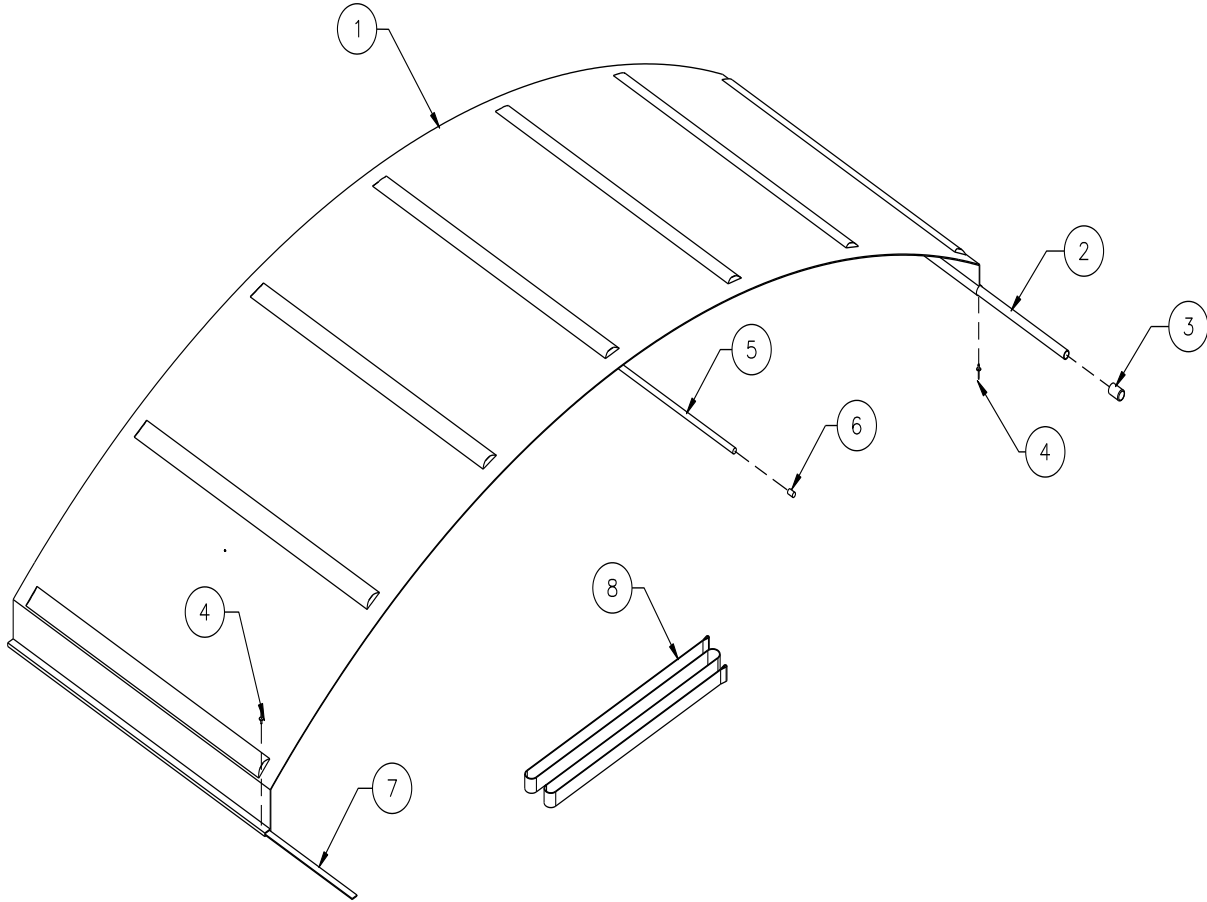
## JOHN DEERE S80/S90 REAR ROLLTUBE ASSEMBLY

| REF | PART #      | DESCRIPTION   | QTY | RETAIL   |
|-----|-------------|---|-----|----------|
| 1   | 0001-092101 | SUPER TORK MOTOR C/W SHAFT                          | 1   | #REF!    |
| 2   | 0105-000101 | 5/16" X 3/4" HEX BOLT                               | 1   | #REF!    |
| 3   | 0101-001201 | 5/16" LOCK WASHER                                   | 1   | #REF!    |
| 4   | 0100-001101 | 5/16" NYLOK PLATED                                  | 1   | #REF!    |
| 5   | 0105-000108 | 5/16 X 2-1/2 HEX BOLT                               | 1   | #REF!    |
| 6   | 0007-000002 | STRAP PULLEY c/w (4) of 0104-000002 1/4" SET SCREWS | 1   | #REF!    |
| 7   | 0110-000019 | 1/4"X3-1/2" QUICK PIN                               | 1   | #REF!    |
| 8   | 0115-000008 | US205-16 SELF ALIGNING BEARING                      | 1   | #REF!    |
| 9   | 0105-009101 | 5/16" X 3/4" CARRIAGE HEAD BOLT                     | 1   | #REF!    |
| 10  | 0115-001000 | 52MM-2BOLT FLANGE                                   | 1   | #REF!    |
| 11  | 0007-001151 | Rear Rolltube Assembly                              | 1   | \$55.00  |
| 12  | 0001-092003 | MOTOR SHAFT - COMES WITH MOTOR                      | 1   | N/A      |
| 13  | 0105-009209 | 3/8" x 1-3/4" CARRIAGE BOLT, FULL THREAD            | 1   | \$0.65   |
| 14  | 0105-009214 | 3/8 "x 4" CARRIAGE BOLT, FULL THREAD                | 1   | \$1.09   |
| 15  | 0113-400002 | PLASTIC 3/8" FEMALE KNOB                            | 1   | #REF!    |
| 16  | 0007-001152 | Rear Rolltube Mounting Bracket Assembly             | 1   | \$245.00 |



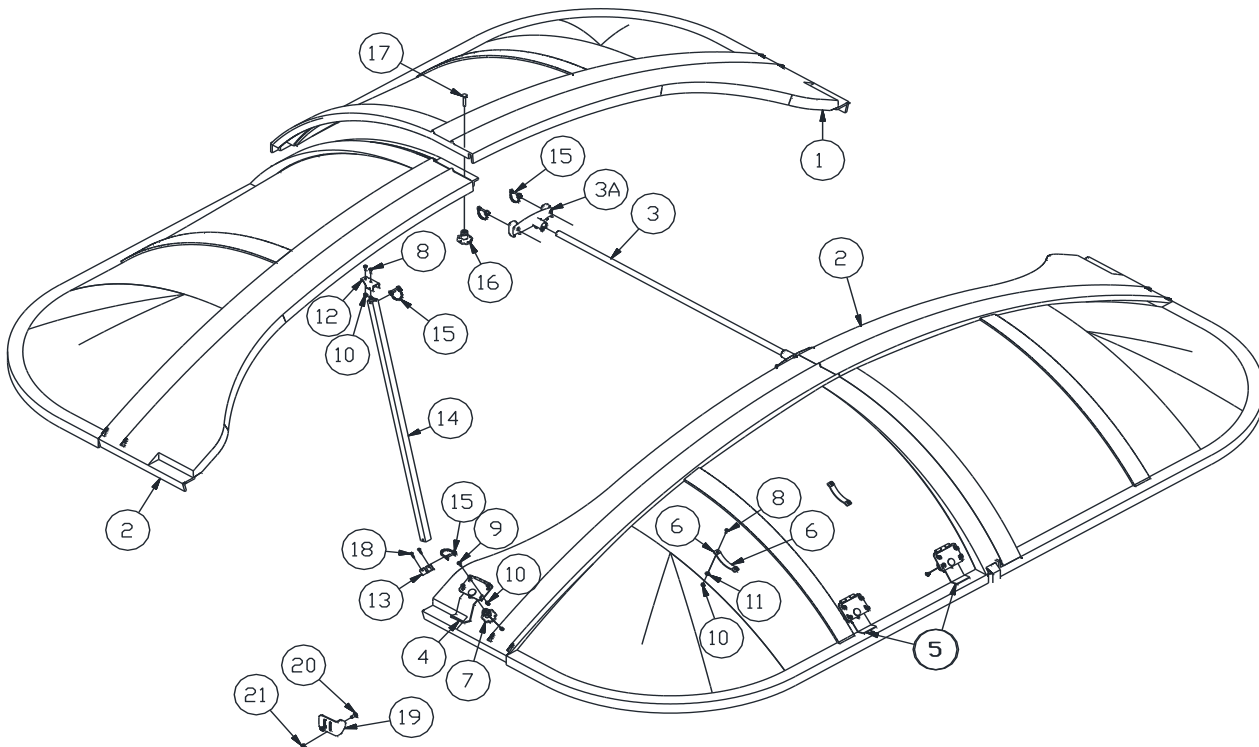
## JOHN DEERE S80/S90 TARP ASSEMBLY

| REF | PART #      | DESCRIPTION  | QTY | RETAIL   |
|-----|-------------|--|-----|----------|
| 1   | 0007-001180 | JOHN DEERE REPLACEMENT TARP - 19oz YELLOW OR GREEN | 1   | \$420.00 |
| 2   | 0007-001181 | REAR RIENFORCEMENT PIPE - JD                       | 1   | \$21.00  |
| 3   | 0113-000055 | ROUND BLACK PLASTIC PLUG                           | 1   | \$1.55   |
| 4   | 0103-000005 | 3/16"X13/16" POP RIVET                             | 1   | #REF!    |
| 5   | 0007-001182 | TARP SUPPORT PIPE - JD                             | 1   | \$19.00  |
| 6   | 0113-400006 | 11/16" CENTER ROD CAP                              | 1   | #REF!    |
| 7   | 0113-001000 | FIBREGLASS FLAT                                    | FT  | #REF!    |
| 8   | 0007-000683 | PULL STRAPS - JD BT - 183"                         | 1   | #REF!    |



## JOHN DEERE S80/S90 HOOD ASSEMBLY

| REF | PART #      | DESCRIPTION                         | QTY | RETAIL   |
|-----|-------------|-------------------------------------|-----|----------|
| 1   | 0113-400025 | JOHN DEERE S80/S90 HOOD - LIP       | 1   | \$410.00 |
| 2   | 0113-400024 | JOHN DEERE S80/S90 HOOD - TROUGH    | 1   | \$410.00 |
| 3   | 0007-001170 | Middle Support Bracket - 55         | 1   | \$65.00  |
| 3A  | 0113-400019 | MIDDLE SUPPORT BRACKET END          | 1   | #REF!    |
| 4   | 0007-000772 | HOOD LATCH - 1-3/4" - MASSEY 95-350 | 1   | \$29.50  |
| 5   | 0007-000012 | HOOD CLAMP - 1-3/4"                 | 1   | #REF!    |
| 6   | 0007-000014 | STRAP HANDLE                        | 1   | #REF!    |
| 7   | 0007-000013 | 3/8" PLASTIC KNOB c/w CABLE         | 1   | #REF!    |
| 8   | 0105-007002 | 1/4" x 3/4" Truss Head Bolt         | 1   | \$0.30   |
| 9   | 0105-007003 | 1/4"X1" TRUSS HEAD BOLT             | 1   | #REF!    |
| 10  | 0100-001100 | 1/4" NYLON LOCK NUT                 | 1   | #REF!    |
| 11  | 0101-001000 | 1/4" FLAT WASHER                    | 1   | #REF!    |
| 12  | 0007-001130 | Top Hood Support Bracket            | 1   | \$15.00  |
| 13  | 0007-001131 | Bottom Hood Support Bracket         | 1   | \$15.00  |
| 14  | 0007-001132 | Hood Support Tubing                 | 1   | \$21.00  |
| 15  | 0110-000018 | 1/4"X1-3/4" QUICK LOCK PIN          | 1   | #REF!    |
| 16  | 0007-000013 | 3/8" PLASTIC KNOB c/w CABLE         | 1   | #REF!    |
| 17  | 0105-009208 | 3/8" X 2-1/4" CARRIAGE HEAD BOLT    | 1   | #REF!    |
| 18  | 0106-000005 | 1/4" x 1" LAG SCREW                 | 1   | \$0.32   |
| 19  | 0007-000172 | HOOD PLACEMENT BRACKET              | 1   | #REF!    |
| 20  | 0105-009215 | 3/8" x 1" Carriage Head Bolt        | 1   | \$1.25   |
| 21  | 0100-001102 | 3/8" Nylok Hex Nut                  | 1   | \$0.32   |



MUST SPECIFY COLOR OF HOODS (GREEN OR YELLOW)

## JOHN DEERE ELECTRIC ASSEMBLY

| REF  | PART #      | DESCRIPTION                         | QTY | RETAIL |
|------|-------------|-------------------------------------|-----|--------|
| 1    | 0145-400002 | ROCKER SWITCH                       | 1   | #REF!  |
| 2    | 0105-000003 | 1/4"X1" HEX BOLT                    | 1   | #REF!  |
| 3    | 0100-001100 | 1/4" NYLOK PLATED                   | 1   | #REF!  |
| 4    | N/A         | WIRE END 14GA-1/4" PUSH ON          | 1   | #REF!  |
| 5    | N/A         | WIRE END 14G - 3/8"                 | 1   | #REF!  |
| 6    | 0145-100007 | 14G-3 WIRE                          | FT  | #REF!  |
| 7    | 0145-400003 | REVERSE DC CONTACTOR                | 1   | #REF!  |
| 8    | N/A         | REVERSE DC CONTACTOR COVER          | 1   | #REF!  |
| 9    | N/A         | WIRE END 6GA - 3/8"                 | 1   | #REF!  |
| 10   | 0145-100015 | 50 AMP CIRCUIT BREAKER              | 1   | #REF!  |
| 11   | N/A         | WIRE END 6GA #10                    | 1   | #REF!  |
| 1-11 | 0145-400015 | 50 AMP ROCKER SWITCH ELECTRICAL KIT | 1   | #REF!  |
| 12   | 0145-120015 | #6 DOUBLE STRANDS WIRE              | FT  | #REF!  |
| 14   | 0145-200005 | 3/4" WIRE CLIP (1 PER 3 FT)         | 1   | #REF!  |
| 15   | 0125-001002 | 7" TIE STRAPS                       | 1   | #REF!  |
| 16   | N/A         | WIRE END #6 - 1/4"                  | 1   | #REF!  |
| 17   | 0145-400007 | WIRE CLIPS - 3/8"                   | 1   | #REF!  |

