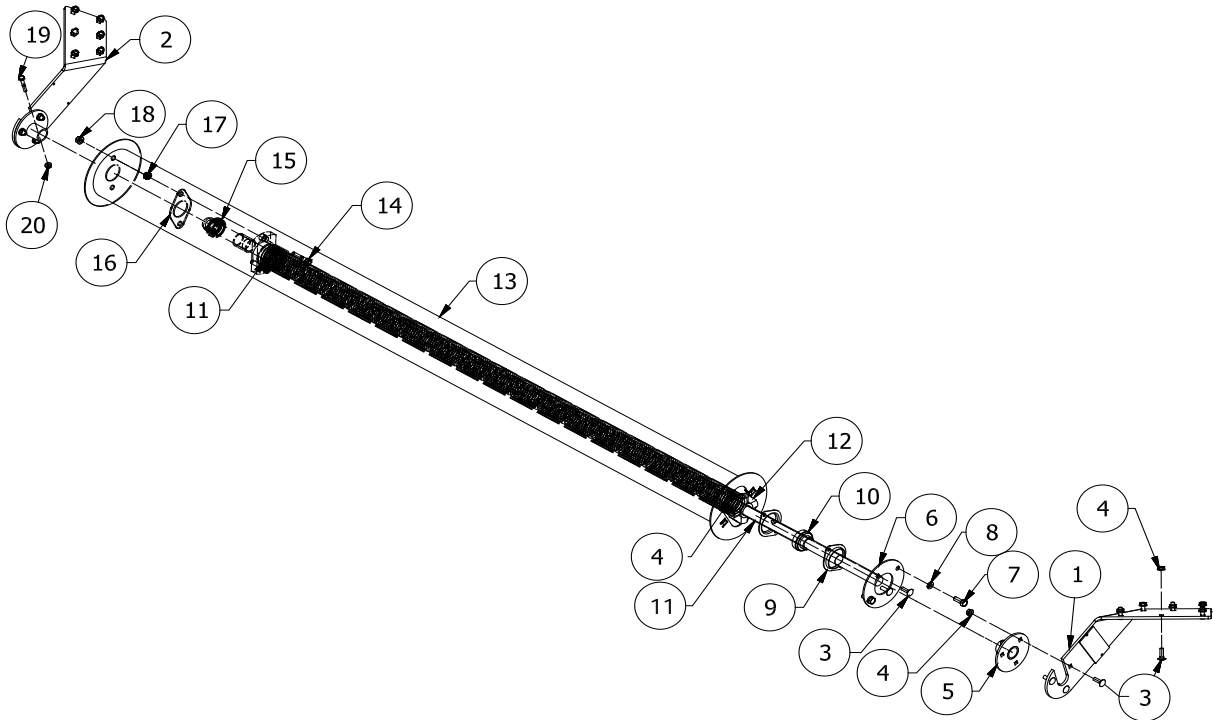


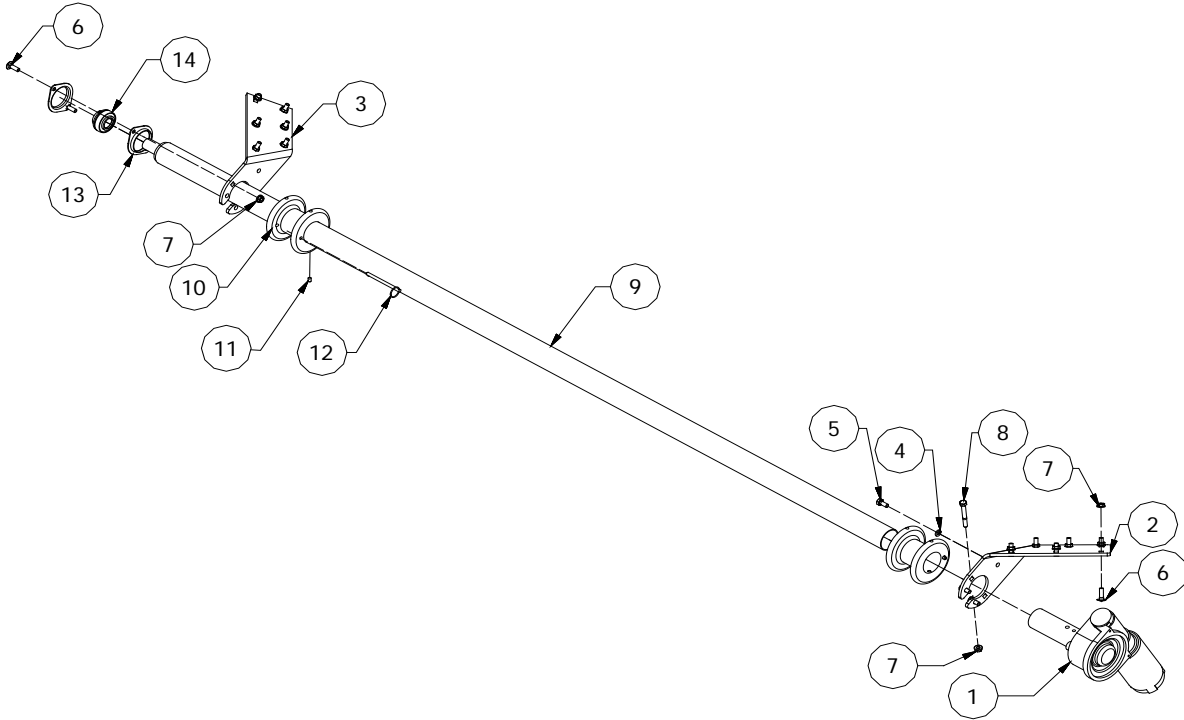
JOHN DEERE 50-60 MAURER FRONT ROLLTUBE ASSEMBLY

REF	PART #	DESCRIPTION	QTY	RETAIL
1	0007-000601	FRONT DRIVER ROLLTUBE MOUNTING BRACKET	1	\$81.00
2	0007-000602	FRONT PASSENGER ROLLTUBE MOUNTING BRACKET	1	\$81.00
3	0105-009210	3/8"X3" CARRIAGE HEAD BOLT	1	\$0.32
4	0100-001101	5/16" NYLOK PLATED	1	\$0.22
5	0007-000001	FRONT ROLLTUBE MOUNT	1	\$29.00
6	0160-007003	ROLLTUBE - SHAFT ENDCAP	1	\$12.50
7	0105-000202	3/8" X 1 HEX BOLT	1	\$0.32
8	0101-001202	3/8" LOCK WASHER	1	\$0.23
9	0115-001000	52MM - 2 BOLT FLANGE	1	\$2.70
10	0115-000008	UC205-16 SELF ALIGNING BEARING	1	\$22.50
11	0007-000603	ALUMINUM FRONT SHAFT - 83"	1	\$93.00
12	0002-040612	TORSION SPRING c/w ENDS	1	\$284.50
13	0007-000604	FRONT ALUMINUM ROLLTUBE - 78"	1	\$158.00
14	0105-000205	3/8" X 1-3/4" HEX BOLT	1	\$0.47
15	0115-000006	SA205-16 BEARING	1	\$14.00
16	0002-040607	BEARING FLANGE	1	\$5.50
17	0100-001002	3/8" HEX NUT	1	\$0.23
18	0100-001302	3/8" SERRATED FLANGE LOCK NUT	1	\$0.53
19	0105-000006	1/4"- 20 X 1_3/4" HEX BOLT	1	\$0.34
20	0100-001100	1/4" NYLON LOCK NUT	1	\$0.16



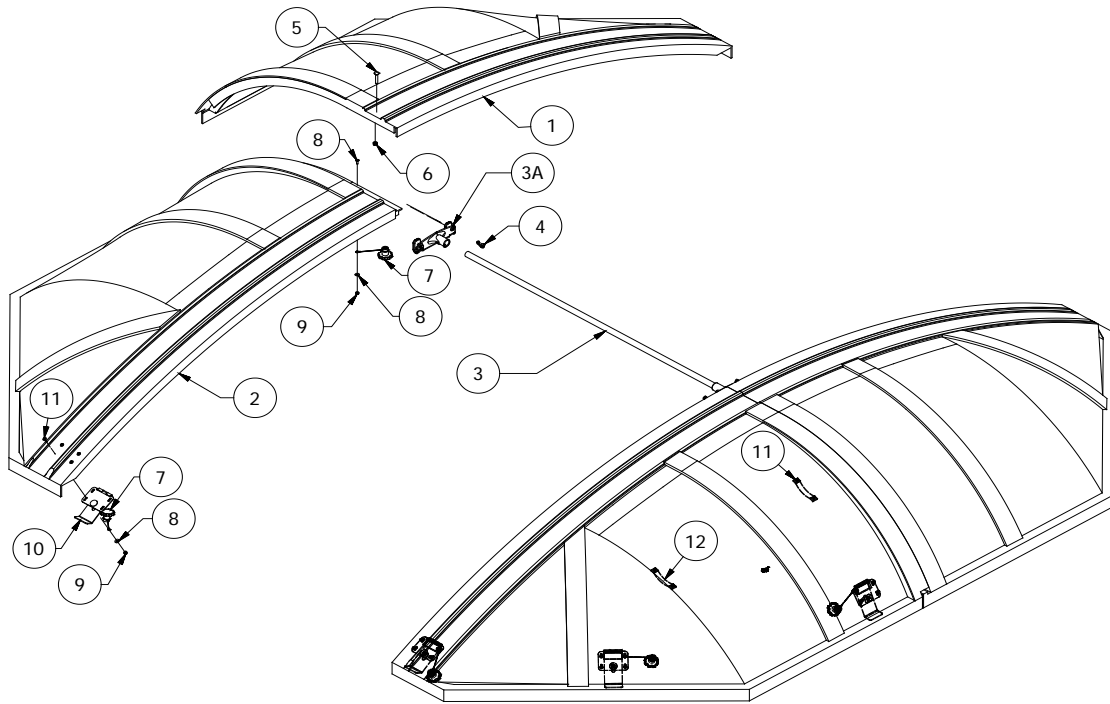
JOHN DEERE 50-60 MAURER REAR ROLLTUBE ASSEMBLY

REF	PART #	DESCRIPTION	QTY	RETAIL
1	0001-092101	SUPER TORK MOTOR C/W SHAFT	1	\$471.60
2	0007-000653	REAR PASSENGER ROLLTUBE MOUNTING BRACKET	1	\$73.00
3	0007-000652	REAR DRIVER ROLLTUBE MOUNTING BRACKET	1	\$73.00
4	0101-001201	5/16" LOCK WASHER	1	\$0.18
5	0105-000101	5/16" X 3/4" HEX BOLT	1	\$0.24
6	0105-009210	3/8"X3" CARRIAGE HEAD BOLT	1	\$0.32
7	0100-001101	5/16" NYLOK PLATED	1	\$0.22
8	0105-000108	5/16 X 2-1/2 HEX BOLT	1	\$0.47
9	0007-000651	REAR ROLLTUBE - 83-1/4"	1	\$42.00
10	0007-000002	STRAP PULLEY c/w (4) of 0104-000002	1	\$34.00
11	0104-000002	1/4" x 3/8" SET SCREW	1	\$0.32
12	0110-000019	1/4"X3-1/2" QUICK PIN	1	\$4.50
13	0115-001000	52MM - 2 BOLT FLANGE	1	\$2.70
14	0115-000008	UC205-16 SELF ALIGNING BEARING	1	\$22.50



JOHN DEERE 50-60 MAURER HOOD ASSEMBLY

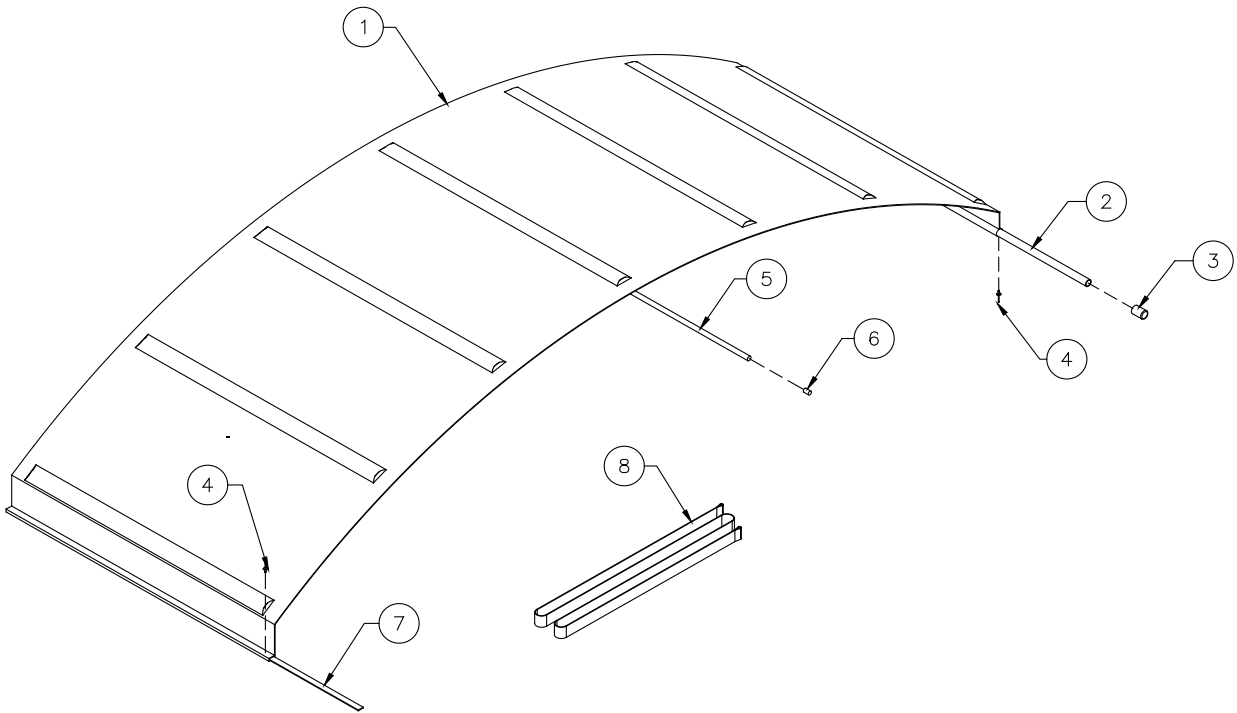
REF	PART #	DESCRIPTION	QTY	RETAIL
1	0113-400014	JD 50-60 MAURER YELLOW HOOD - LIP - DECAL/WRITING	1	\$645.00
2	0113-400013	JD 50-60 MAURER YELLOW HOOD - TROUGH	1	\$645.00
3	0007-000671	MIDDLE SUPPORT BRACKET	1	\$65.00
3A	0113-400019	MIDDLE SUPPORT BRACKET END	1	\$29.00
4	0110-000018	1/4"X1-3/4" QUICK LOCK PIN	1	\$3.50
5	0105-009208	3/8" X 2-1/4" CARRIAGE HEAD BOLT	1	\$0.79
6	0100-001302	3/8" SERRATED FLANGE LOCK NUT	1	\$0.53
7	0007-000013	3/8" PLASTIC KNOB c/w CABLE	1	\$9.50
8	0101-001000	1/4" FLAT WASHER	1	\$0.11
9	0100-001100	1/4" NYLON LOCK NUT	1	\$0.16
10	0007-000012	HOOD CLAMP - 1-3/4"	1	\$27.00
11	0105-007003	1/4"X1" TRUSS HEAD BOLT	1	\$0.15
12	0007-000014	STRAP HANDLE	1	\$6.45



EACH HOOD GETS (3) HOOD LATCHES REF#6 AND (2) STRAP HANDLES REF#5 MOUNTED ON THE INSIDE OF THEM

JOHN DEERE 50-60 MAURER TARP ASSEMBLY

REF	PART #	DESCRIPTION	QTY	RETAIL
1	0007-000680	JOHN DEERE 50-60 MAURER REPLACEMENT TARP - 19oz YELLOW	1	\$349.00
2	0007-000681	REAR PULL PIPE - 77" c/w REF#3	1	\$21.00
3	0113-000020	PIPE CAP	1	\$0.60
4	0103-000005	3/16"X13/16" POP RIVET	1	\$0.45
5	0007-000682	TARP SUPPORT PIPE - MAURER	1	\$15.25
6	0113-400007	13/16" CENTER ROD CAP	1	\$1.25
7	0113-001000	FIBREGLASS FLAT	FT	\$1.40
8	0007-000683	PULL STRAPS - 185" FM	1	\$19.00



JOHN DEERE 50-60 MAURER ELECTRIC ASSEMBLY

REF	PART #	DESCRIPTION	QTY	RETAIL
1	0145-40002	ROCKER SWITCH	1	\$22.50
2	0105-00003	1/4"X1" HEX BOLT	1	\$0.15
3	0100-001100	1/4" NYLOK PLATED	1	\$0.16
4	N/A	WIRE END 14GA-1/4" PUSH ON	1	N/A
5	N/A	WIRE END 14G - 3/8"	1	N/A
6	0145-100007	14G-3 WIRE	FT	\$1.80
7	0145-400021	REVERSE DC CONTACTOR	1	\$139.00
8	N/A	REVERSE DC CONTACTOR COVER	1	N/A
9	N/A	WIRE END 6GA - 3/8"	1	N/A
10	0145-100015	50 AMP CIRCUIT BREAKER	1	\$17.00
11	N/A	WIRE END 6GA #10	1	N/A
1-11	0145-400015	50 AMP ROCKER SWITCH ELECTRICAL KIT	1	\$153.00
12	0145-120015	#6 DOUBLE STRANDS WIRE	FT	\$2.80
14	0145-200005	3/4" WIRE CLIP (1 PER 3 FT)	1	\$1.40
15	0125-001002	7" TIE STRAPS	1	\$0.59
16	N/A	WIRE END #6 - 1/4"	1	N/A
17	0145-400007	WIRE CLIPS - 3/8"	1	\$1.00

