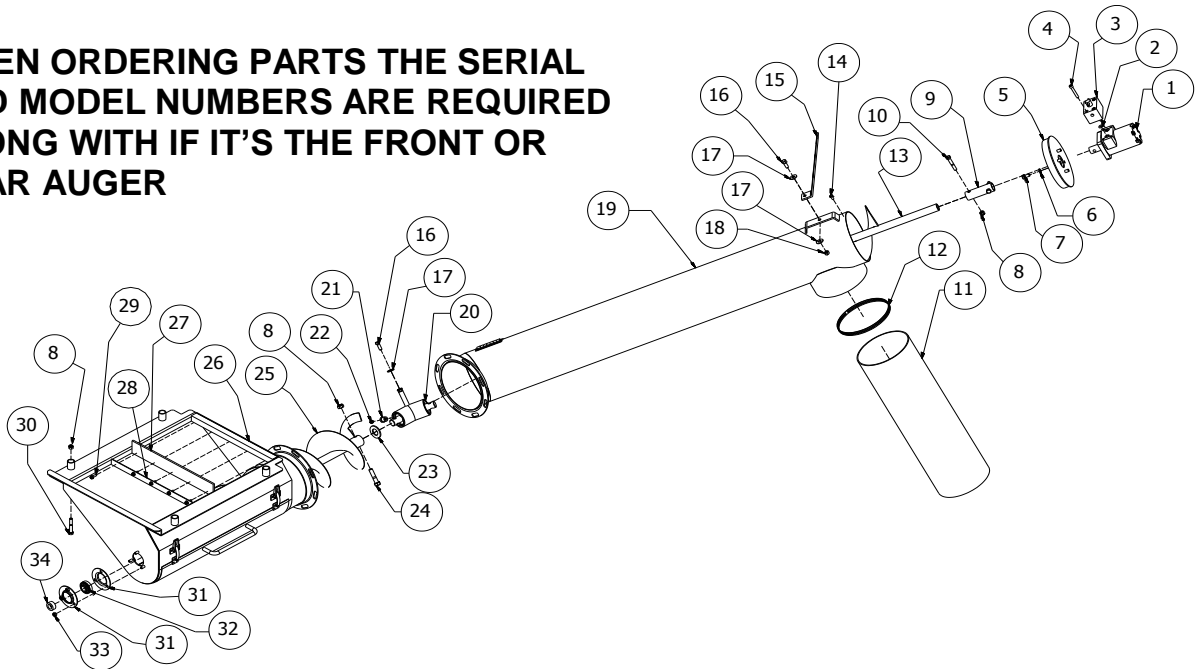


8" STEEL HOPPER AUGER

| REF # | PART # | DESCRIPTION | Sold By |
|-------|-------------|--|---------|
| 1 | 0146-000015 | 8" or 10" HYDRAULIC MOTOR | ea. |
| 2 | 0146-300007 | O-RING | ea. |
| 3 | 0003-010006 | MANUAL FLOW CONTROL BLOCK c/w REF#2&4 | ea. |
| 4 | 0106-000015 | 5/16" x 2" SOCKET HEAD BOLT | ea. |
| 5 | 0003-010001 | 8" STEEL MOTOR MOUNT | ea. |
| 6 | 0101-001202 | 3/8" LOCK WASHER | ea. |
| 7 | 0105-000201 | 3/8" x 3/4" HEX BOLT | ea. |
| 8 | 0100-001104 | 1/2" NYLON LOCK NUT | ea. |
| 9 | 0003-010002 | MOTOR JOINER | ea. |
| 10 | 0105-000207 | 3/8" x 2-1/4" HEX BOLT | ea. |
| 11 | 0003-010141 | 8" DOWN SPOUT c/w CLAMP AND TARP STRAP | ea. |
| 12 | 0112-003006 | 8" HOSE CLAMP | ea. |
| N/A | 0111-000202 | 15" TARP STRAP | ea. |
| 13 | 0003-010110 | 8" TOP CORE AND FLIGHTING ASSEMBLY | ea. |
| 14 | 0105-000001 | 1/4" x 1/2" HEX BOLT | ea. |
| 15 | 0003-010003 | CENTER HANGING BRACKET | ea. |
| 16 | 0105-000202 | 3/8" X 1" HEX BOLT | ea. |
| 17 | 0101-001002 | 3/8" FLAT WASHER | ea. |
| 18 | 0100-001002 | 3/8" HEX NUT | ea. |
| 19 | 0003-010140 | 8" STEEL AUGER TOP TUBE ONLY | ea. |
| 20 | 0003-010004 | 8" STEEL GEARBOX | ea. |
| 21 | 0003-010036 | 3/8" UNC to 1/8" NPT adapter | ea. |
| 22 | 0146-300001 | 1/8" NPT GREASE FITTING | ea. |
| 23 | 0101-001107 | 1" SAE FLAT WASHER | ea. |
| 24 | 0109-000407 | 1/2" x 2-1/4" GRADE 9 HEX BOLT | ea. |
| 25 | 0003-010120 | 8" BOTTOM CORE AND FLIGHTING ASSEMBLY | ea. |
| 26 | 0003-010130 | 8" STEEL HOPPER BOTTOM SHELL c/w DECAL | ea. |
| N/A | 0003-010135 | BOTTOM DOOR SEAL | ea. |
| 27 | 0003-010133 | RUBBER SWEEP | ea. |
| 28 | 0003-010134 | RUBBER SWEEP MOUNT PLATE | ea. |
| 29 | 0106-000005 | 1/4" X 1 LAG SCREWS | ea. |
| 30 | 0105-000208 | 3/8" x 2-1/2" HEX BOLT | ea. |
| 31 | 0115-001002 | 47mm BEARING FLANGE | ea. |
| 32 | 0115-000004 | SA204-12G BEARING c/w REF#33 | ea. |
| 33 | 0100-001001 | 5/16" HEX NUT | ea. |
| 1-23 | 0003-010102 | 8" STEEL AUGER TOP TUBE ASSEMBLY | ea. |
| 26-34 | 0003-010139 | 8" STEEL HOPPER BOTTOM ASSEMBLY | ea. |

WHEN ORDERING PARTS THE SERIAL AND MODEL NUMBERS ARE REQUIRED ALONG WITH IF IT'S THE FRONT OR REAR AUGER



8" STEEL WILSON AUGERS

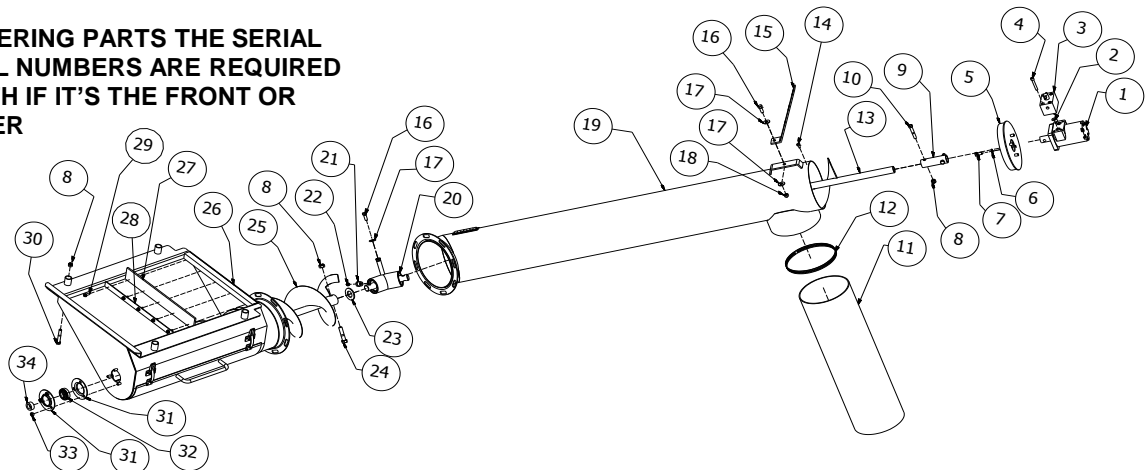
| | | | |
|-----|---------------|---|-----|
| N/A | 0003-010139WS | 8" FRONT STEEL HOPPER BOTTOM ASSEMBLY - STRAP CHUTE | ea. |
| N/A | 0003-010539WS | 8" REAR STEEL HOPPER BOTTOM ASSEMBLY - STRAP CHUTE | ea. |
| N/A | 0003-010139WR | 8" FRONT STEEL HOPPER BOTTOM ASSEMBLY - RACK+PINION | ea. |
| N/A | 0003-010539WR | 8" REAR STEEL HOPPER BOTTOM ASSEMBLY - RACK +PINION | ea. |

**FOR BOTTOM EXTENSIONS AND HD BOTTOM CORE AND FLIGHTING GO TO PAGE 3
 HD BOTTOM CORE AND FLIGHTING USES 1" BEARING INSTEAD OF A 3/4" BEARING (REF#31&32&34)**

8" ALUMINUM HOPPER AUGER

| REF # | PART # | DESCRIPTION | Sold By |
|-------|-------------|---|---------|
| 1 | 0146-000015 | 8" or 10" HYDRAULIC MOTOR | ea. |
| 2 | 0146-300007 | O-RING | ea. |
| 3 | 0003-010006 | MANUAL FLOW CONTROL BLOCK c/w REF#2&4 | ea. |
| 4 | 0106-000015 | 5/16" x 2" SOCKET HEAD BOLT | ea. |
| 5 | 0003-060001 | 8" ALUMINUM MOTOR MOUNT | ea. |
| 6 | 0101-001202 | 3/8" LOCK WASHER | ea. |
| 7 | 0105-000201 | 3/8" x 3/4" HEX BOLT | ea. |
| 8 | 0100-001104 | 1/2" NYLON LOCK NUT | ea. |
| 9 | 0003-010002 | MOTOR JOINER | ea. |
| 10 | 0105-000207 | 3/8" x 2-1/4" HEX BOLT | ea. |
| 11 | 0003-010141 | 8" DOWN SPOUT c/w CLAMP AND TARP STRAP | ea. |
| 12 | 0112-003006 | 8" HOSE CLAMP | ea. |
| N/A | 0111-000202 | 15" TARP STRAP | ea. |
| 13 | 0003-010110 | 8" TOP CORE AND FLIGHTING ASSEMBLY | ea. |
| 14 | 0105-000001 | 1/4" x 1/2" HEX BOLT | ea. |
| 15 | 0003-010003 | CENTER HANGING BRACKET | ea. |
| 16 | 0105-000202 | 3/8" X 1" HEX BOLT | ea. |
| 17 | 0101-001002 | 3/8" FLAT WASHER | ea. |
| 18 | 0100-001002 | 3/8" HEX NUT | ea. |
| 19 | 0003-060140 | 8" ALUMINUM AUGER TOP TUBE ONLY | ea. |
| 20 | 0003-060004 | 8" ALUMINUM GEARBOX | ea. |
| 21 | 0003-010036 | 3/8" UNC to 1/8" NPT adapter | ea. |
| 22 | 0146-300001 | 1/8" NPT GREASE FITTING | ea. |
| 23 | 0101-001107 | 1" SAE FLAT WASHER | ea. |
| 24 | 0109-000407 | 1/2" x 2-1/4" GRADE 9 HEX BOLT | ea. |
| 25 | 0003-010120 | 8" BOTTOM CORE AND FLIGHTING ASSEMBLY | ea. |
| 26 | 0003-060130 | 8" ALUMINUM HOPPER BOTTOM SHELL c/w DECAL | ea. |
| N/A | 0003-010135 | BOTTOM DOOR SEAL | ea. |
| 27 | 0003-010133 | RUBBER SWEEP | ea. |
| 28 | 0003-010134 | RUBBER SWEEP MOUNT PLATE | ea. |
| 29 | 0106-000005 | 1/4" X 1 LAG SCREWS | ea. |
| 30 | 0105-000208 | 3/8" x 2-1/2" HEX BOLT | ea. |
| 31 | 0115-001002 | 47mm BEARING FLANGE | ea. |
| 32 | 0115-000004 | SA204-12G BEARING c/w REF#33 | ea. |
| 33 | 0100-001001 | 5/16" HEX NUT | ea. |
| 1-23 | 0003-060102 | 8" ALUMINUM AUGER TOP TUBE ASSEMBLY | ea. |
| 26-34 | 0003-060139 | 8" ALUMINUM HOPPER BOTTOM ASSEMBLY | ea. |

WHEN ORDERING PARTS THE SERIAL AND MODEL NUMBERS ARE REQUIRED ALONG WITH IF IT'S THE FRONT OR REAR AUGER



8" ALUMINUM WILSON AUGERS

| | | | |
|-----|---------------|--|-----|
| N/A | 0003-060139WS | 8" ALUMINUM FRONT HOPPER BOTTOM ASSEMBLY - STRAP CHUTE | ea. |
| N/A | 0003-060539WS | 8" ALUMINUM REAR HOPPER BOTTOM ASSEMBLY - STRAP CHUTE | ea. |
| N/A | 0003-060139WR | 8" ALUMINUM FRONT HOPPER BOTTOM ASSEMBLY - RACK+PINION | ea. |
| N/A | 0003-060539WR | 8" ALUMINUM REAR HOPPER BOTTOM ASSEMBLY - RACK +PINION | ea. |

FOR BOTTOM EXTENSIONS AND HD BOTTOM CORE AND FLIGHTING GO TO PAGE 3
 HD BOTTOM CORE AND FLIGHTING USES 1" BEARING INSTEAD OF A 3/4" BEARING (REF#31&32&34)

8" HOPPER AUGERS WITH EXTENSIONS

| | | | |
|---|-------------|--------------------------------|-----|
| 1 | 0100-001104 | 1/2" NYLON LOCK NUT | ea. |
| 2 | 0101-001107 | 1" SAE FLAT WASHER | ea. |
| 3 | 0100-001002 | 3/8" HEX NUT | ea. |
| 4 | 0101-001002 | 3/8" FLAT WASHER | ea. |
| 5 | 0109-000407 | 1/2" x 2-1/4" GRADE 9 HEX BOLT | ea. |
| 6 | 0105-000202 | 3/8" X 1" HEX BOLT | ea. |

8" STEEL EXTENSIONS

| | | | |
|-----|-------------|------------------------------|-----|
| 7 | 0003-010012 | 8" STEEL 12" AUGER EXTENSION | ea. |
| N/A | 0003-010018 | 8" STEEL 18" AUGER EXTENSION | ea. |
| N/A | 0003-010024 | 8" STEEL 24" AUGER EXTENSION | ea. |

8" ALUMINUM EXTENSIONS

| | | | |
|-----|-------------|---------------------------------|-----|
| 7 | 0003-060012 | 8" ALUMINUM 12" AUGER EXTENSION | ea. |
| N/A | 0003-060018 | 8" ALUMINUM 18" AUGER EXTENSION | ea. |
| N/A | 0003-060024 | 8" ALUMINUM 24" AUGER EXTENSION | ea. |

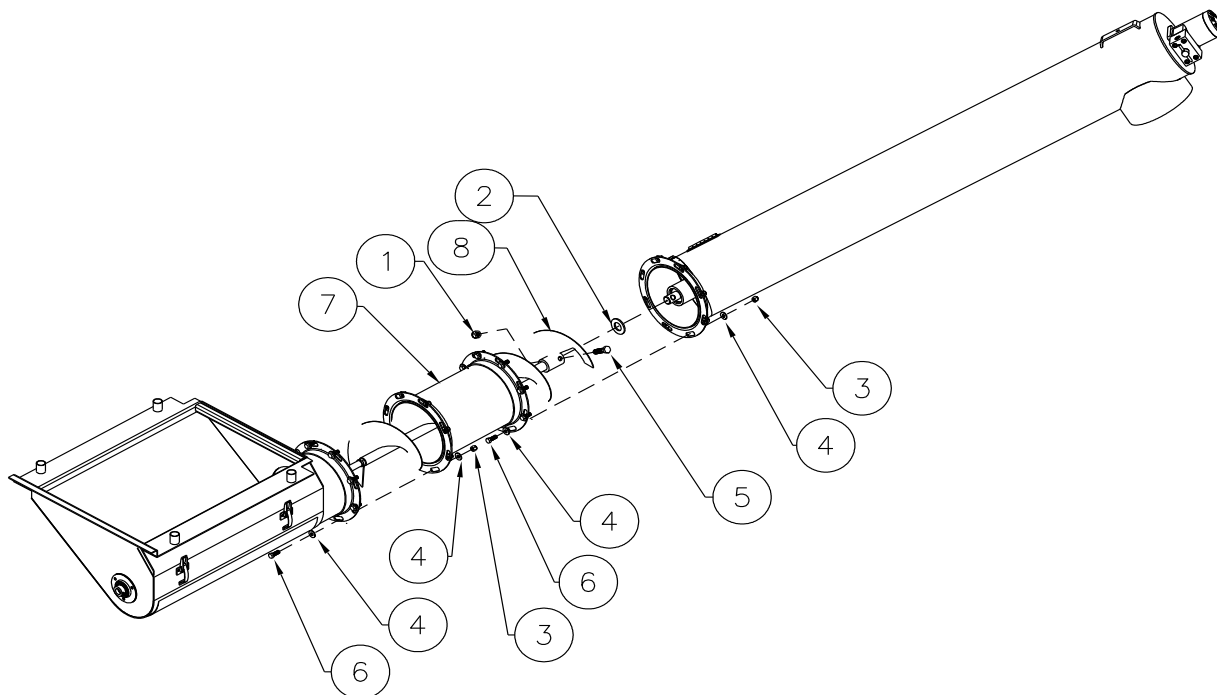
8" BOTTOM CORE & FLIGHTING

| | | | |
|-----|-------------|--|-----|
| 8 | 0003-010122 | 8" - 12" EXTENSION BOTTOM CORE/FLIGHTING ASSEMBLY *(see below) | ea. |
| N/A | 0003-010123 | 8" - 18" EXTENSION BOTTOM CORE/FLIGHTING ASSEMBLY *(see below) | ea. |
| N/A | 0003-010124 | 8" - 24" EXTENSION BOTTOM CORE/FLIGHTING ASSEMBLY *(see below) | ea. |

8" BOTTOM CORE & FLIGHTING OVER 60" LONG

| | | | |
|-----|-------------|---|-----|
| N/A | 0003-040120 | 8" HEAVY DUTY BOTTOM CORE FLIGHTING ASSEMBLY *(see below) | ea. |
| N/A | 0115-001005 | 52mm 3 BOLT FLANGETTE | ea. |
| N/A | 0115-000006 | SA205-16 SELF ALIGNING BEARING | ea. |

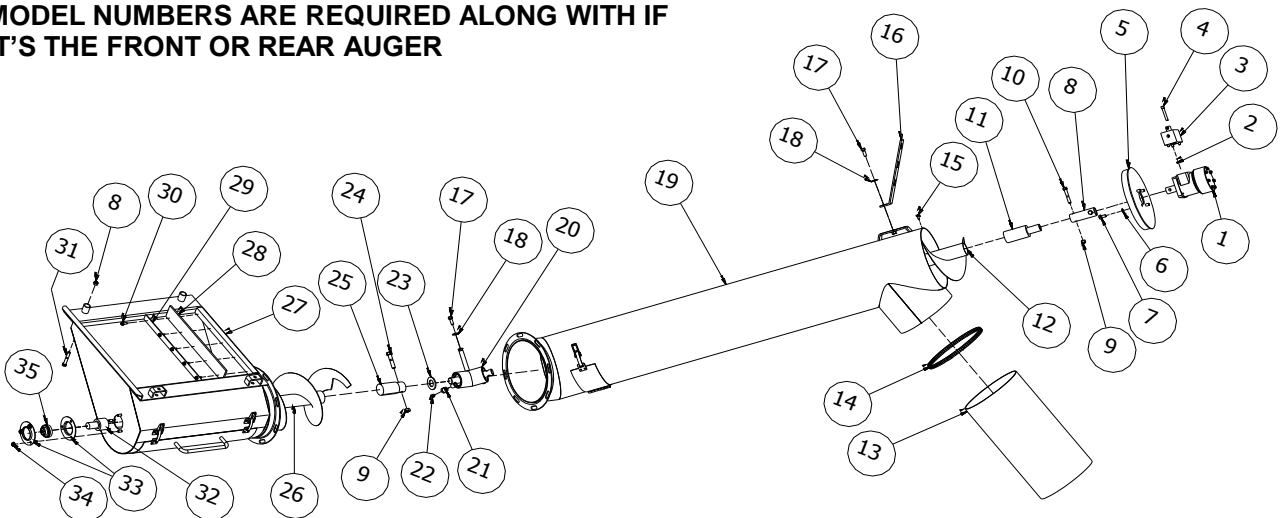
**WHEN ORDERING PARTS THE SERIAL AND MODEL NUMBERS ARE REQUIRED
 ALONG WITH IF IT'S THE FRONT OR REAR AUGER**



10" STEEL HOPPER AUGER

| REF # | PART # | DESCRIPTION | QTY |
|-------|--------------|--|-----|
| 1 | 0146-000015 | 8" or 10" HYDRAULIC MOTOR | ea. |
| 2 | 0146-300007 | O-RING | ea. |
| 3 | 0003-010006 | MANUAL FLOW CONTROL BLOCK c/w REF#2&4 | ea. |
| 4 | 0106-000015 | 5/16" x 2" SOCKET HEAD BOLT | ea. |
| 5 | 0003-510001 | 10" STEEL MOTOR MOUNT | ea. |
| 6 | 0101-001202 | 3/8" LOCK WASHER | ea. |
| 7 | 0105-000201 | 3/8" x 3/4" HEX BOLT | ea. |
| 8 | 0003-010002 | MOTOR JOINER | ea. |
| 9 | 0100-001104 | 1/2" NYLON LOCK NUT | ea. |
| 10 | 0105-000207 | 3/8" x 2-1/4" HEX BOLT | ea. |
| 11 | 0161-504007 | 10" MOTOR BUSHING | ea. |
| 12 | 0003-510110 | 10" TOP CORE FLIGHTING ASSEMBLY | ea. |
| 13 | 0003-510141 | 10" DOWN SPOUT c/w CLAMP AND TARP STRAP | ea. |
| 14 | 0112-500000B | 10" SPOUT CLAMP | ea. |
| N/A | 0111-000203 | 20" TARP STRAP | ea. |
| 15 | 0105-000001 | 1/4" x 1/2" HEX BOLT | ea. |
| 16 | 0003-010003 | CENTER HANGING BRACKET | ea. |
| 17 | 0105-000202 | 3/8" X 1" HEX BOLT | ea. |
| 18 | 0101-001002 | 3/8" FLAT WASHER | ea. |
| 19 | 0003-510140 | 10" AUGER TOP TUBE ONLY | ea. |
| 20 | 0003-510004 | 10" STEEL GEARBOX | ea. |
| 21 | 0003-010036 | 3/8" UNC to 1/8" NPT adapter | ea. |
| 22 | 0146-300001 | 1/8" NPT GREASE FITTING | ea. |
| 23 | 0101-001107 | 1" SAE FLAT WASHER | ea. |
| 24 | 0109-000407 | 1/2" x 2-1/4" GRADE 9 HEX BOLT | ea. |
| 25 | 0161-504006 | 10" FLIGHTING BUSHING | ea. |
| 26 | 0003-510120 | 10" BOTTOM CORE AND FLIGHTING ASSEMBLY | ea. |
| 27 | 0003-510130 | 10" STEEL HOPPER BOTTOM SHELL c/w DECAL *(see below) | ea. |
| N/A | 0003-010135 | BOTTOM DOOR SEAL | ea. |
| 28 | 0003-010133 | RUBBER SWEEP | ea. |
| 29 | 0003-010134 | RUBBER SWEEP MOUNT PLATE | ea. |
| 30 | 0106-000005 | 1/4" X 1 LAG SCREWS | ea. |
| 31 | 0105-000208 | 3/8" x 2-1/2" HEX BOLT | ea. |
| 32 | 0161-504008 | 10" BEARING SHAFT | ea. |
| 33 | 0115-001005 | 52mm 3 BOLT FLANGETTE | ea. |
| 34 | 0100-001001 | 5/16" HEX NUT | ea. |
| 35 | 0115-000006 | SA205-16 SELF ALIGNING BEARING | ea. |
| 1-23 | 0003-510102 | 10" STEEL AUGER TOP TUBE ASSEMBLY | ea. |
| 27-35 | 0003-510139 | 10" STEEL HOPPER BOTTOM ASSEMBLY | ea. |

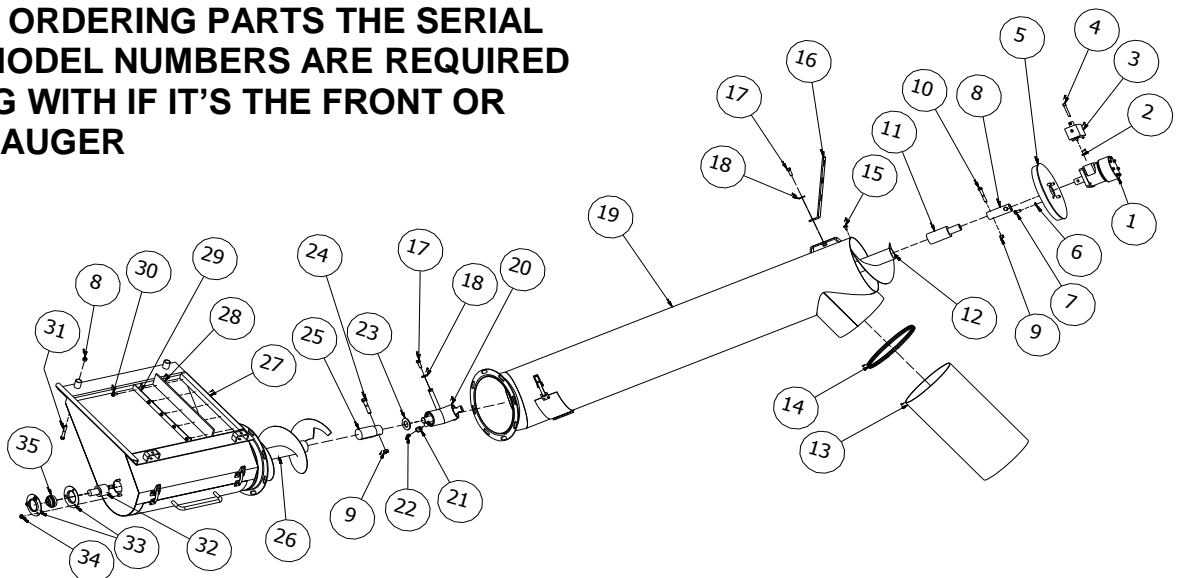
WHEN ORDERING PARTS THE SERIAL AND MODEL NUMBERS ARE REQUIRED ALONG WITH IF IT'S THE FRONT OR REAR AUGER



10" ALUMINUM HOPPER AUGER

| REF # | PART # | DESCRIPTION | QTY |
|-------|--------------|---|-----|
| 1 | 0146-000015 | 8" or 10" HYDRAULIC MOTOR | ea. |
| 2 | 0146-300007 | O-RING | ea. |
| 3 | 0003-010006 | MANUAL FLOW CONTROL BLOCK c/w REF#2&4 | ea. |
| 4 | 0106-000015 | 5/16" x 2" SOCKET HEAD BOLT | ea. |
| 5 | 0003-560001 | 10" ALUMINUM MOTOR MOUNT | ea. |
| 6 | 0101-001202 | 3/8" LOCK WASHER | ea. |
| 7 | 0105-000201 | 3/8" x 3/4" HEX BOLT | ea. |
| 8 | 0003-010002 | MOTOR JOINER | ea. |
| 9 | 0100-001104 | 1/2" NYLON LOCK NUT | ea. |
| 10 | 0105-000207 | 3/8" x 2-1/4" HEX BOLT | ea. |
| 11 | 0161-504007 | 10" MOTOR BUSHING | ea. |
| 12 | 0003-510110 | 10" TOP CORE FLIGHTING ASSEMBLY | ea. |
| 13 | 0003-510141 | 10" DOWN SPOUT c/w CLAMP AND TARP STRAP | ea. |
| 14 | 0112-500000B | 10" SPOUT CLAMP | ea. |
| N/A | 0111-000203 | 20" TARP STRAP | ea. |
| 15 | 0105-000001 | 1/4" x 1/2" HEX BOLT | ea. |
| 16 | 0003-010003 | CENTER HANGING BRACKET | ea. |
| 17 | 0105-000202 | 3/8" X 1" HEX BOLT | ea. |
| 18 | 0101-001002 | 3/8" FLAT WASHER | ea. |
| 19 | 0003-560140 | 10" ALUMINUM AUGER TOP TUBE ONLY | ea. |
| 20 | 0003-560004 | 10" ALUMINUM GEARBOX | ea. |
| 21 | 0003-010036 | 3/8" UNC to 1/8" NPT adapter | ea. |
| 22 | 0146-300001 | 1/8" NPT GREASE FITTING | ea. |
| 23 | 0101-001107 | 1" SAE FLAT WASHER | ea. |
| 24 | 0109-000407 | 1/2" x 2-1/4" GRADE 9 HEX BOLT | ea. |
| 25 | 0161-504006 | 10" FLIGHTING BUSHING | ea. |
| 26 | 0003-510120 | 10" BOTTOM CORE AND FLIGHTING ASSEMBLY | ea. |
| 27 | 0003-560130 | 10" ALUMINUM HOPPER BOTTOM SHELL ONLY | ea. |
| N/A | 0003-010135 | BOTTOM DOOR SEAL | ea. |
| 28 | 0003-010133 | RUBBER SWEEP | ea. |
| 29 | 0003-010134 | RUBBER SWEEP MOUNT PLATE | ea. |
| 30 | 0106-000005 | 1/4" X 1 LAG SCREWS | ea. |
| 31 | 0105-000208 | 3/8" x 2-1/2" HEX BOLT | ea. |
| 32 | 0161-504008 | 10" BEARING SHAFT | ea. |
| 33 | 0115-001005 | 52mm 3 BOLT FLANGETTE | ea. |
| 34 | 0100-001001 | 5/16" HEX NUT | ea. |
| 35 | 0115-000006 | SA205-16 SELF ALIGNING BEARING | ea. |
| 1-23 | 0003-560102 | 10" ALUMINUM AUGER TOP TUBE ASSEMBLY | ea. |
| 27-35 | 0003-560139 | 10" ALUMINUM HOPPER BOTTOM ASSEMBLY | ea. |

WHEN ORDERING PARTS THE SERIAL AND MODEL NUMBERS ARE REQUIRED ALONG WITH IF IT'S THE FRONT OR REAR AUGER



FOR BOTTOM EXTENSIONS AND BOTTOM CORE AND FLIGHTING GO TO PAGE 7

10" HOPPER AUGERS WITH EXTENSIONS

| | | | |
|---|-------------|--------------------------------|-----|
| 1 | 0100-001104 | 1/2" NYLON LOCK NUT | ea. |
| 2 | 0101-001107 | 1" SAE FLAT WASHER | ea. |
| 3 | 0100-001002 | 3/8" HEX NUT | ea. |
| 4 | 0101-001002 | 3/8" FLAT WASHER | ea. |
| 5 | 0109-000407 | 1/2" x 2-1/4" GRADE 9 HEX BOLT | ea. |
| 6 | 0105-000202 | 3/8" X 1" HEX BOLT | ea. |

10" STEEL EXTENSIONS

| | | | |
|-----|-------------|-------------------------------|-----|
| 7 | 0003-510012 | 10" STEEL 12" AUGER EXTENSION | ea. |
| N/A | 0003-510018 | 10" STEEL 18" AUGER EXTENSION | ea. |
| N/A | 0003-510024 | 10" STEEL 24" AUGER EXTENSION | ea. |

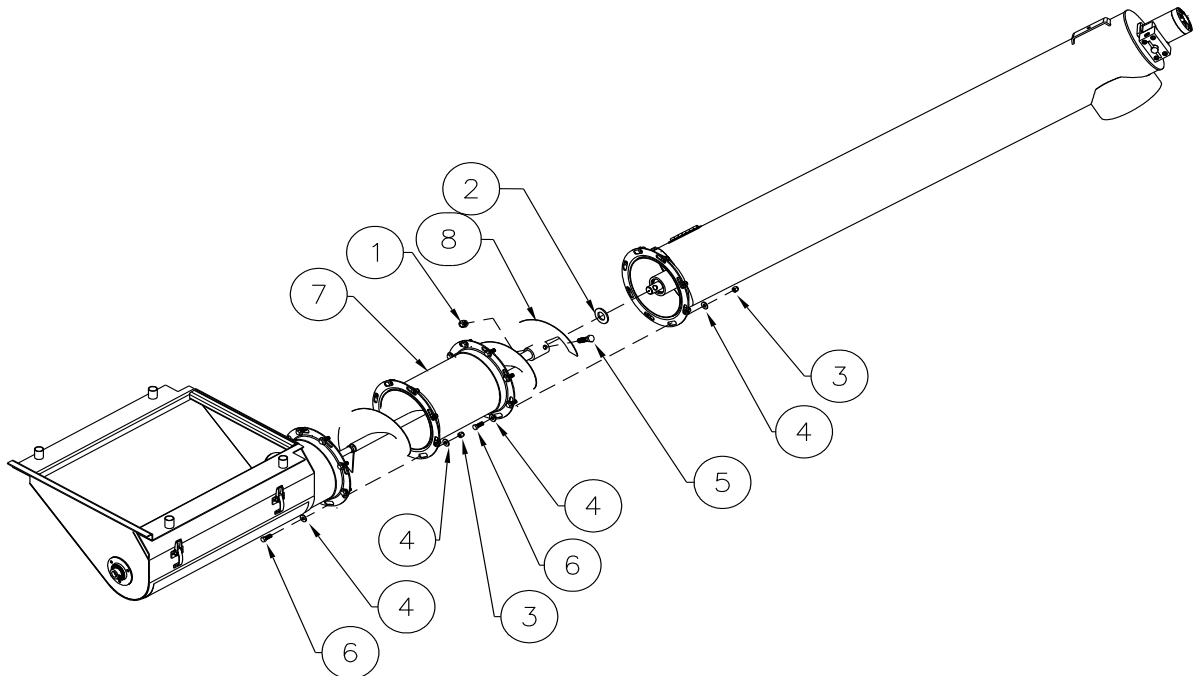
10" ALUMINUM EXTENSIONS

| | | | |
|-----|-------------|------------------------------------|-----|
| 7 | 0003-560012 | 10" ALUMINUM 12" AUGER EXTENSION | ea. |
| N/A | 0003-560018 | 10" ALUMINUM - 18" AUGER EXTENSION | ea. |
| N/A | 0003-560024 | 10" ALUMINUM - 24" AUGER EXTENSION | ea. |

10" BOTTOM CORE & FLIGHTING

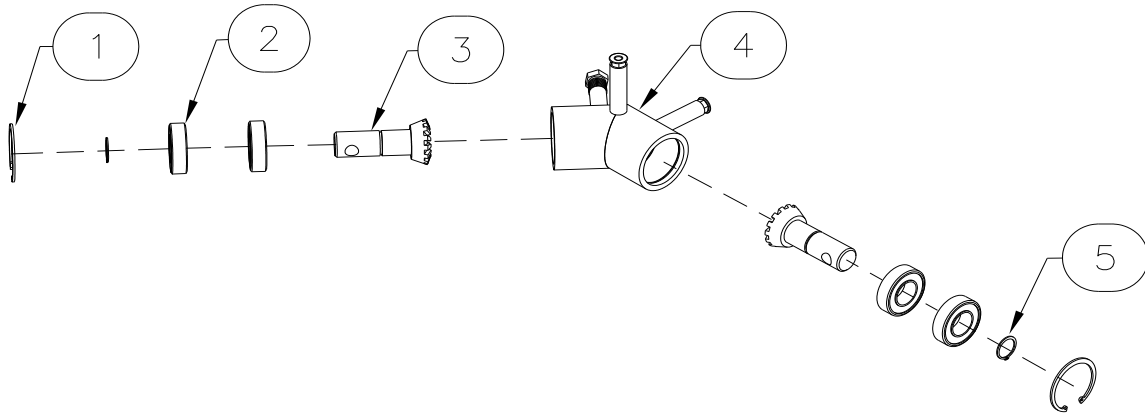
| | | | |
|-----|-------------|--|-----|
| 8 | 0003-510122 | 10" - 12" EXTENSION BOTTOM CORE/FLIGHTING ASSEMBLY | ea. |
| N/A | 0003-510123 | 10" - 18" EXTENSION BOTTOM CORE/FLIGHTING ASSEMBLY | ea. |
| N/A | 0003-510124 | 10" - 24" EXTENSION BOTTOM CORE/FLIGHTING ASSEMBLY | ea. |

WHEN ORDERING PARTS THE SERIAL AND MODEL NUMBERS ARE REQUIRED ALONG WITH IF IT'S THE FRONT OR REAR AUGER



GEARBOX

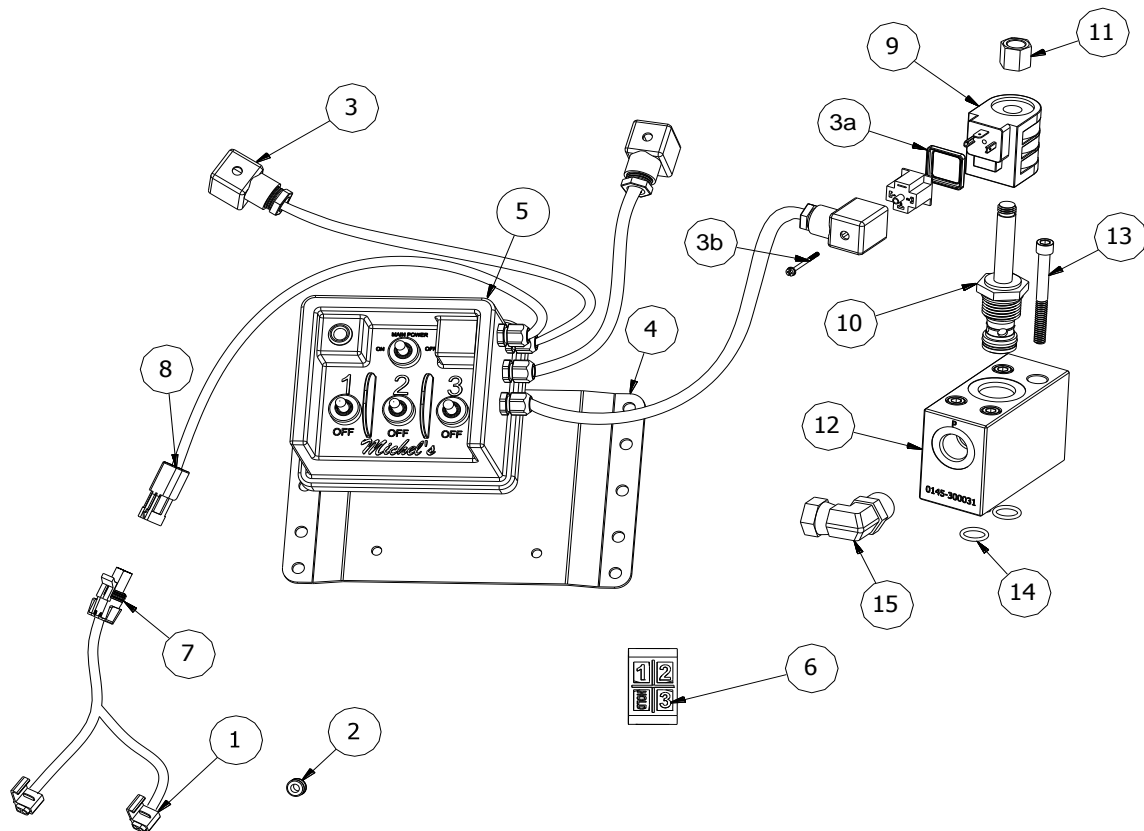
| REF # | PART # | DESCRIPTION | QTY |
|-------|--------------|------------------------------|-----|
| 1 | 0110-000301 | 2" INTERNAL SNAP RING | ea. |
| 2 | 0115-000007 | 6205-2RS SELF-ALIGNING | ea. |
| 3 | 0003-010007 | SET OF BEVEL GEARBOX SHAFTS | ea. |
| 4 | 0003-010004F | 8" STEEL GEARBOX HOUSING | ea. |
| 4 | 0003-060004F | 8" ALUMINUM GEARBOX HOUSING | ea. |
| 4 | 0003-510004F | 10" STEEL GEARBOX HOUSING | ea. |
| 4 | 0003-560004F | 10" ALUMINUM GEARBOX HOUSING | ea. |
| 5 | 0110-000300 | 1" EXTERNAL SNAP RING | ea. |
| 1-5 | 0003-010004 | 8" STEEL GEARBOX | ea. |
| 1-5 | 0003-060004 | 8" ALUMINUM GEARBOX | ea. |
| 1-5 | 0003-510004 | 10" STEEL GEARBOX | ea. |
| 1-5 | 0003-560004 | 10" ALUMINUM GEARBOX | ea. |



**WHEN ORDERING PARTS THE SERIAL AND MODEL NUMBERS ARE
REQUIRED ALONG WITH IF IT'S THE FRONT OR REAR AUGER**

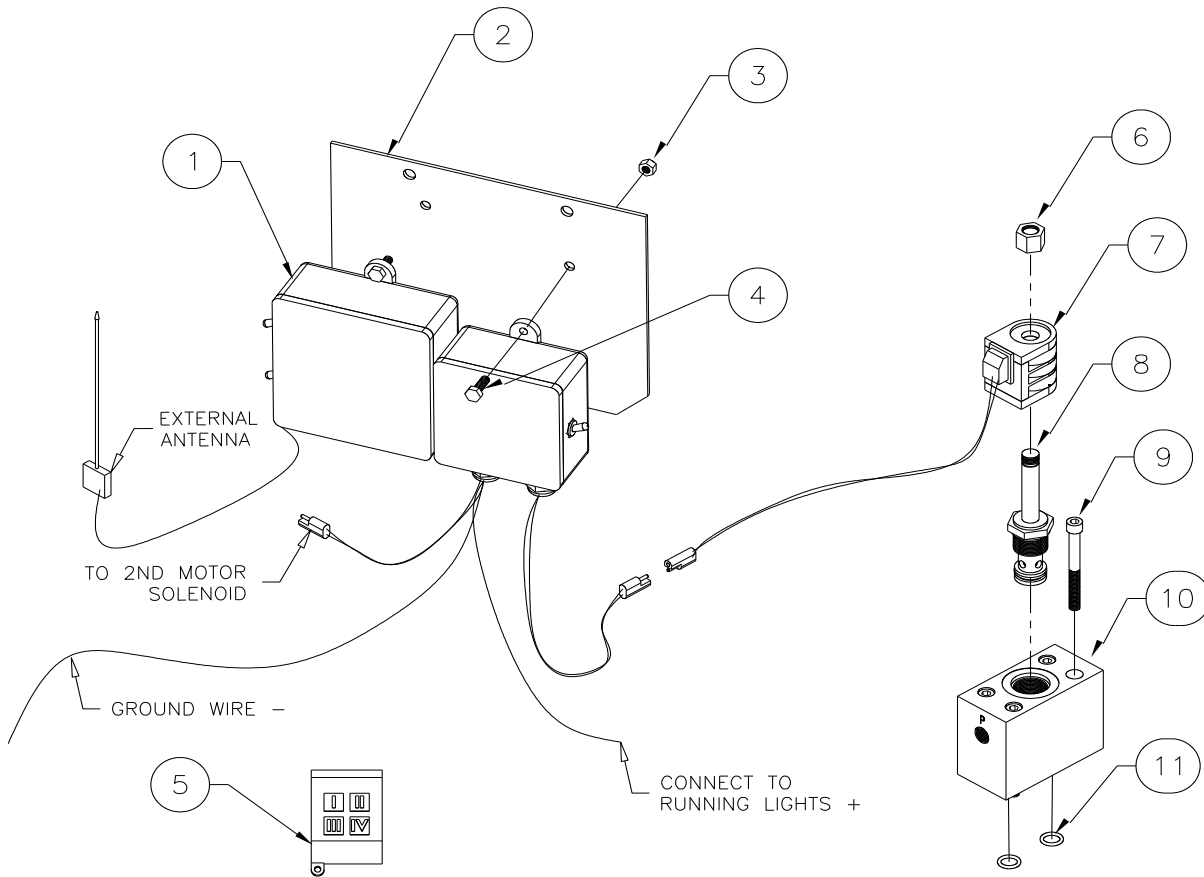
WIRELESS REMOTE

| REF # | PART # | DESCRIPTION | QTY |
|-----------|--------------|--|-----|
| 1 | 0145-300018 | 16-14G SILICONE QUICK SPLICE | ea. |
| 2 | 0145-300033 | 1/4" ID x 1/8" GROOVE WIRE GROMMET | ea. |
| 3 | 0145-300032 | DIN CONNECTOR C/W SCREW, LIGHT AND GASKET | ea. |
| 3b | 0145-300035 | DIN SCREW | ea. |
| 3a | 0145-300034 | DIN RUBBER GASKET | ea. |
| 4 | 0003-020006 | MOUNTING PLATE | ea. |
| - | 0105-007002 | 1/4" x 3/4" TRUSS HEAD BOLT | ea. |
| - | 0105-000102 | 5/16"x 1" HEX BOLT | ea. |
| - | 0100-001101 | 5/16" NYLON LOCK NUT | ea. |
| 3 + 5 - 8 | 0003-020008 | 2 HOPPER WIRELESS CONTROL BOX C/W 3,5,6,7,8 | ea. |
| 3 + 5 - 8 | 0003-020009 | 3 HOPPER WIRELESS CONTROL BOX C/W 3,5,6,7,8 | ea. |
| 6 | 0145-300103 | TRANSMITTER | ea. |
| 7-8 | 0145-300104 | WEATHER PACK CONNECTORS - MALE AND FEMALE W/ PINS | ea. |
| 9-14 | 0003-020007 | COMPLETE SOLENIOD ASSEMBLY - DIN CONNECTORS | ea. |
| 9 | 0145-300029A | COIL | ea. |
| 10 | 0145-300003 | CARTRIDGE | ea. |
| 11 | 0145-300003A | COIL NUT FOR CARTRIDGE | ea. |
| 9-11 | 0145-300029 | COIL AND CARTRIDGE ASSEMBLY | ea. |
| 12 | 0145-300031 | ELECTRIC SOLENOID BLOCK c/w ORB PORTS | ea. |
| 13 | 0106-000017 | 5/16" X 3" SOCKET HEAD CAP SCREW | ea. |
| 14 | 0146-300007 | O-RING | ea. |
| 15 | 0146-300014 | 90 DEGREE ORB SWIVEL | ea. |
| 1-15 | HA-2WRK | WIRELESS REMOTE CONVERSION KIT (c/w 2 COMPLETE SOLENIOD ASSEMBLIES, MOUNTING PLATE, WIRELESS REMOTE BOX AND REMOTE | ea. |
| 1-15 | HA-3WRK | WIRELESS REMOTE CONVERSION KIT (c/w 3 COMPLETE SOLENIOD ASSEMBLIES, MOUNTING PLATE, WIRELESS REMOTE BOX AND REMOTE | ea. |



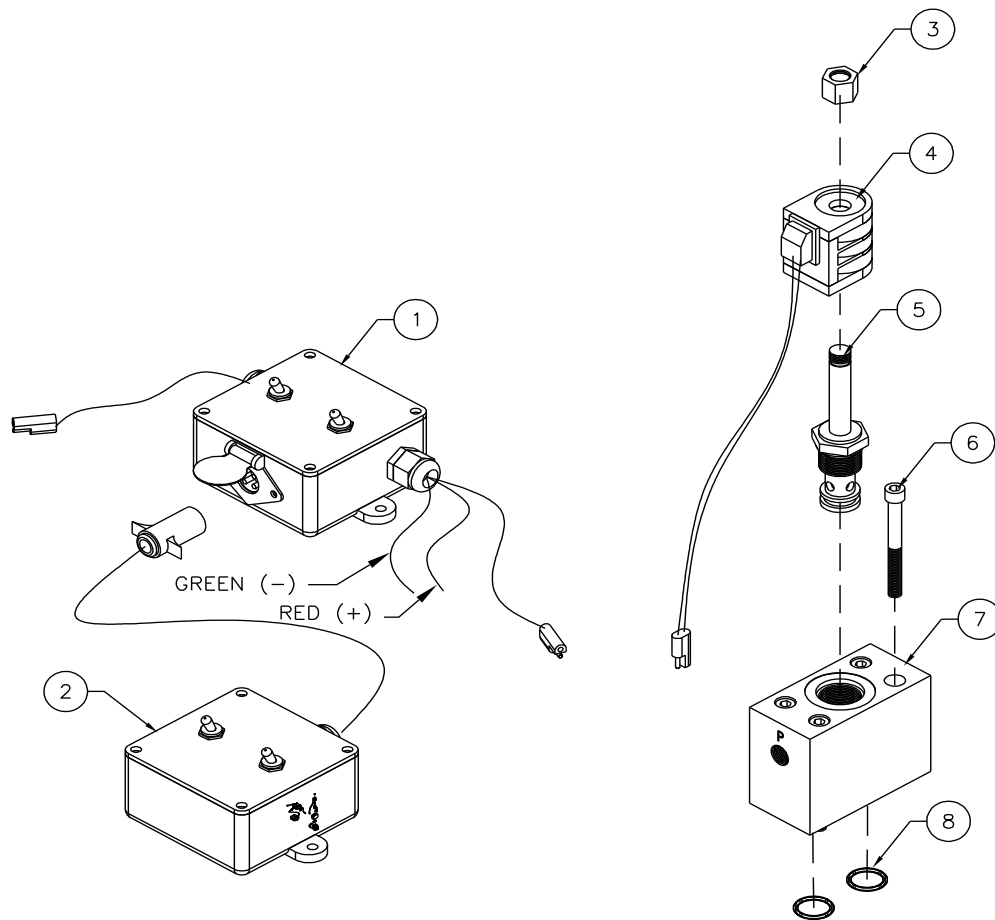
WIRELESS REMOTE ASSEMBLY

| REF# | PART # | DESCRIPTION | QTY |
|------|--------------|---|-----|
| 1 | 0003-020001 | WIRELESS REMOTE BOX (2 HOPPER) | ea. |
| N/A | 0003-020002 | WIRELESS REMOTE BOX (3 HOPPER) | ea. |
| 2 | 0003-020006 | WIRELESS REMOTE MOUNTING PLATE | ea. |
| 3 | 0100-001100 | 1/4" NYLON LOCK NUT | ea. |
| 4 | 0105-000002 | 1/4"X3/4" HEX BOLT | ea. |
| 5 | 0145-300011 | 4 BUTTON REMOTE ONLY | ea. |
| 6 | 0145-300003A | COIL NUT FOR CARTRIDGE | ea. |
| 7 | 0003-020003 | COIL ASSEMBLY | ea. |
| 8 | 0145-300003 | CARTRIDGE | ea. |
| 6-8 | 0003-020004 | COIL / CARTRIDGE ASSEMBLY | ea. |
| 9 | 0106-000017 | 5/16" X 3" SOCKET HEAD CAP SCREW | ea. |
| 10 | 0145-300005 | ELECTRIC SOLENIOD BLOCK (LARGE) | ea. |
| 11 | 0146-300007 | O-RING | ea. |
| 6-11 | 0003-020005 | COMPLETE SOLENIOD ASSEMBLY - WIRE LEADS | ea. |



CORDED REMOTE ASSEMBLY

| REF# | PART # | DESCRIPTION | QTY |
|------|--------------|---|-----|
| 1 | 0003-020109 | CORDED REMOTE POWER BOX (2 HOPPER) | ea. |
| N/A | 0003-020111 | CORDED REMOTE POWER BOX (3 HOPPER) | ea. |
| 2 | 0003-020110 | CORDED REMOTE SWITCH BOX (2 HOPPER) | ea. |
| N/A | 0003-020112 | CORDED REMOTE SWITCH BOX (3 HOPPER) | ea. |
| 3 | 0145-300003A | COIL NUT FOR CARTRIDGE | ea. |
| 4 | 0003-020003 | COIL ASSEMBLY | ea. |
| 5 | 0145-300003 | CARTRIDGE | ea. |
| 3-5 | 0003-020004 | COIL / CARTRIDGE ASSEMBLY | ea. |
| 6 | 0106-000017 | 5/16" X 3" SOCKET HEAD CAP SCREW | ea. |
| 7 | 0145-300005 | ELECTRIC SOLENIOD BLOCK (LARGE) | ea. |
| 8 | 0146-300007 | O-RING | ea. |
| 3-8 | 0003-020005 | COMPLETE SOLENIOD ASSEMBLY - WIRE LEADS | ea. |



MISCELLANEOUS PARTS

| REF# | PART # | DESCRIPTION | QTY |
|--|--------------|--|------|
| HINGE | | | |
| N/A | 0112-003000 | 1-1/2" STEEL AUGER PAINO HINGE | FT |
| N/A | 0112-003000B | 3" ALUMINUM PAINO HINGE (BOTTOM DOOR) | FT |
| N/A | 0112-003005 | 2" ALUMINUM PAINO HINGE (TOP DOOR) | FT |
| BOTTOM DOOR ASSEMBLIES | | | |
| N/A | 0003-010131 | STEEL AUGER BOTTOM DOOR ASSEMBLY c/w HINGE + LATCHES | ea. |
| N/A | 0003-060131 | ALUMINUM AUGER BOTTOM DOOR ASSEMBLY c/w HINGE + LATCHES | ea. |
| 8" CORE & FLIGHTING PARTS | | | |
| N/A | 0150-007002 | 8" STANDARD RH FLIGHTING | FT |
| N/A | 0150-007001 | 8" STANDARD LH FLIGHTING | FT |
| N/A | 0150-001013 | 8" STANDARD CORE (3/4" SCH 40) | FT |
| N/A | 0161-004000 | 8" MACHINE BEARING SHAFT - 3/4" (STANDARD FLIGHTING ONLY) | ea. |
| N/A | 0003-010015 | 8" AUGER COLLAR (CONNECTS CORE TO GEARBOX) | ea. |
| 8" HEAVY DUTY BOTTOM CORE & FLIGHTING PARTS | | | |
| N/A | 0150-007016 | 8" HD RH FLIGHTING | FT |
| N/A | 0150-007015 | 8" HD LH FLIGHTING | FT |
| N/A | 0150-001033 | 10" CORE & 8" HD CORE (2"OD X 0.083") | FT |
| N/A | 0161-504008 | 10" BEARING SHAFT | ea. |
| N/A | 0161-504006 | 10" FLIGHTING BUSHING | ea. |
| 8" AUGER TUBE PARTS | | | |
| N/A | 0150-001016 | 8" STEEL AUGER TUBE | FT |
| N/A | 0003-010013 | 8" STEEL DOWN SPOUT | ea. |
| N/A | 0003-010009 | 8" STEEL ANGLE RING | ea. |
| N/A | 0003-010008 | 8" STEEL AUGER TOP TUBE DOOR ASSEMBLY | ea. |
| N/A | 0151-001010 | 8" ALUMINUM AUGER TUBE | FT |
| N/A | 0003-060013 | 8" ALUMINUM DOWN SPOUT | ea. |
| N/A | 0161-004006 | 8" ALUMINUM ANGLE RING | ea. |
| N/A | 0003-060008 | 8" ALUMINUM AUGER TOP TUBE DOOR ASSEMBLY | ea. |
| 10" CORE & FLIGHTING PARTS | | | |
| 0 | 0150-007012 | 10" RH FLIGHTING | FT |
| N/A | 0150-007011 | 10" LH FLIGHTING | FT |
| N/A | 0150-001033 | 10" CORE & 8" HD CORE (2"OD X 0.083") | FT |
| N/A | 0161-504008 | 10" BEARING SHAFT | ea. |
| N/A | 0161-504006 | 10" FLIGHTING BUSHING | ea. |
| N/A | 0161-504007 | 10" MOTOR BUSHING | ea. |
| 10" AUGER TUBE PARTS | | | |
| N/A | 0150-001029 | 10" STEEL AUGER TUBE | FT |
| N/A | 0003-510013 | 10" STEEL DOWN SPOUT | ea. |
| N/A | 0003-510009 | 10" STEEL ANGLE RING | ea. |
| N/A | 0003-510008 | 10" STEEL AUGER TOP TUBE DOOR ASSEMBLY - 10" | ea. |
| N/A | 0151-001011 | 10" ALUMINUM AUGER TUBE | FT |
| N/A | 0003-560013 | 10" ALUMINUM DOWN SPOUT | ea. |
| N/A | 0161-004007 | 10" ALUMINUM ANGLE RING | ea. |
| N/A | 0003-560008 | 10" ALUMINUM AUGER TOP TUBE DOOR ASSEMBLY - 10" | ea. |
| FOAM TAPE AND RUBBER SWEEP | | | |
| N/A | 0149-000200 | 1/4"x1" FOAM TAPE - GENERAL SIDE SEAL | FT |
| N/A | 0149-000202 | 3/4"X3/4" FOAM TAPE - | FT |
| N/A | 0149-000203 | 1/8"X1/2" FOAM TAPE - DOOR SEAL | FT |
| N/A | 0149-000210 | 3/4"X1-1/4" FOAM TAPE | FT |
| N/A | 0149-000211 | 1-1/4"X3/4" FOAM TAPE - 10" SIDE SEAL | FT |
| N/A | 0149-000212 | 3/8"X1" FOAM TAPE - DP SIDE SEAL | FT |
| N/A | 0149-000201 | RUBBER UTILITY SKIRT (RUBBER SWEEPS) | FT^2 |
| HYDRAULIC PARTS | | | |
| N/A | 0147-700010 | 1/2" NPT SELECTOR VALVE FOR 8" HOPPER AUGERS | ea. |
| N/A | 0147-700009 | 3/4" NPT SELECTOR VALVE FOR 10" HOPPER AUGERS | ea. |
| N/A | 0147-700015 | 50/50 FLOW DIVIDER | ea. |
| N/A | 0146-000012 | SEAL KIT FOR 5.9 cu in. Eaton/Charlynn HYDRAULIC MOTOR (8" Augers) | ea. |
| N/A | 0146-000013 | SEAL KIT FOR 5.9 cu in. EATON SPECIAL HYDRAULIC MOTOR (10" Augers) | ea. |
| N/A | 0146-000014 | Seal kit for Neustar motors with Model # BMR5-1--P97C1Y19 (Started 2016) | ea. |