

Michel's HOPPER AUGERS

GENERIC 3 Hopper Order Form

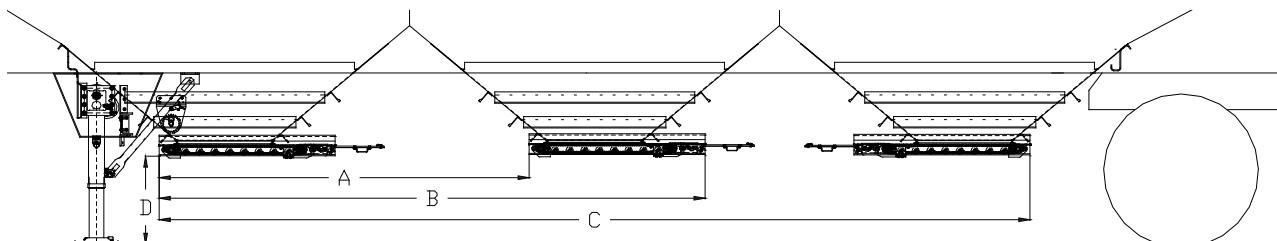
Customer Name: _____ Fax#: () _____

Address: _____ Ph#: () _____

Make of Trailer: _____ Year of Trailer: _____

Length of Trailer: _____ Steel or Aluminium: _____ Serial # _____

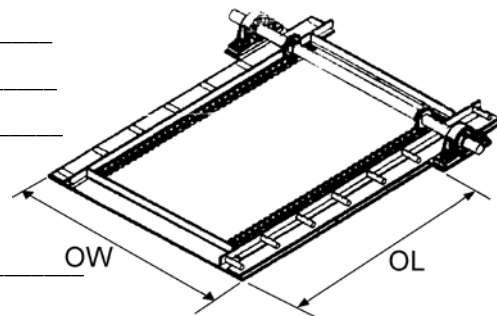
Width of Trailer: 8' or 8'6"



Hook Tape Measure on Angle Iron which hangs down

Please give measurements to the nearest 1/16" of an inch

1. Front of Front Hopper to Front of Center Hopper (A) _____
2. Front of Front Hopper to Rear of Center Hopper (B) _____
3. Front of Front Hopper to Rear of Rear Hopper (C) _____
4. Bottom of Hopper to the Ground (D): _____
5. Outside Width of Chute (OW): _____
6. Front of Chute up to the start of the Pillow Block (OL): _____
7. Which way the Chutes Open:
 - a. Front Hopper: Front or Rear
 - b. Center Hopper: Front or Rear
 - c. Rear Hopper: Front or Rear
8. Number of Axles: _____



For any questions on this order form please contact Michel's Industries.

NOTE: Michel's is not responsible for any incorrect measurements

Please Circle Options

Manual Flow Controls or 3 Button Wireless Remote or T200 Multi-Function Wireless Remote (Can control future functions like Tarp, Chute Openers, lights or swing auger mover with same remote)

8" or 10"

Steel Shell or Aluminium Shell