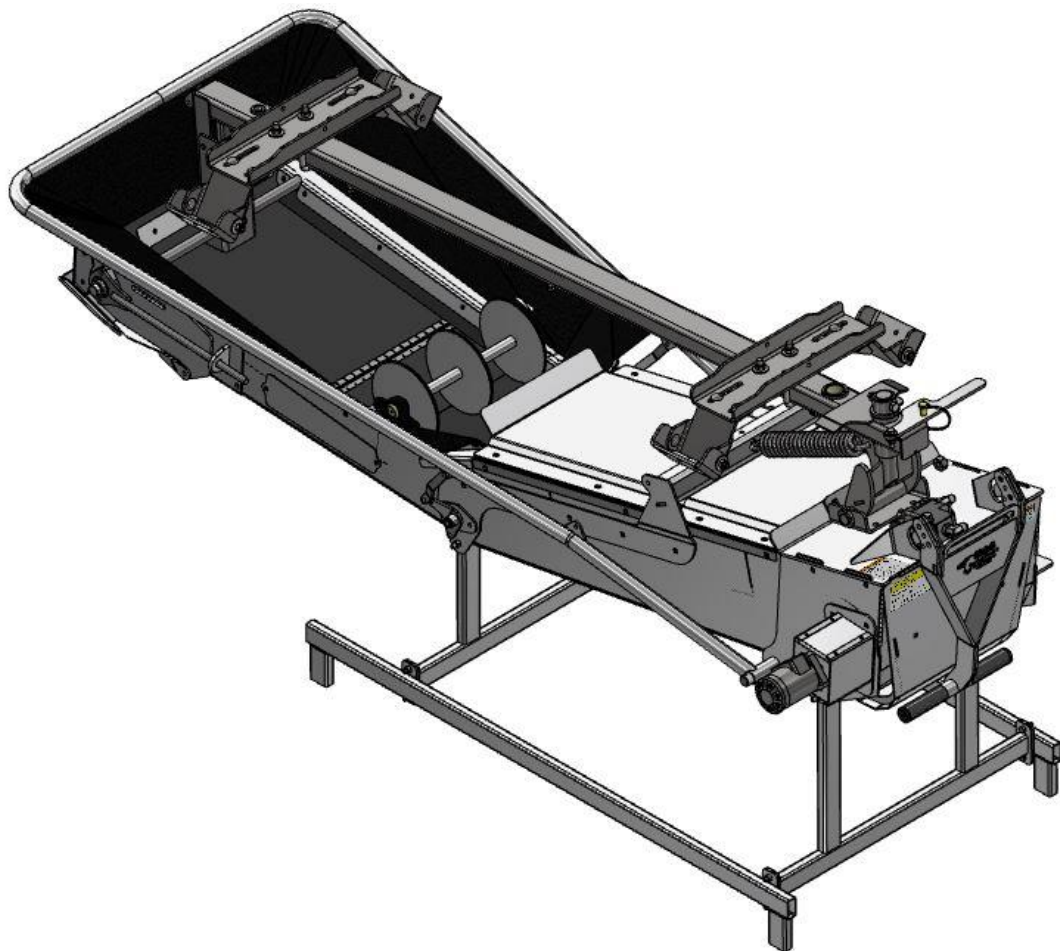




**Michel's**  
**Convey Hawk II**  
*Trailer Conveyor*  
**Fixed Frame Installation Instructions**



Michel's Industries, Ltd.  
St. Gregor, SK., Canada S0K 3X0  
PH: 306 366.2184 FX: 306 366.2145  
EM: sales@michels.ca  
www.michels.ca



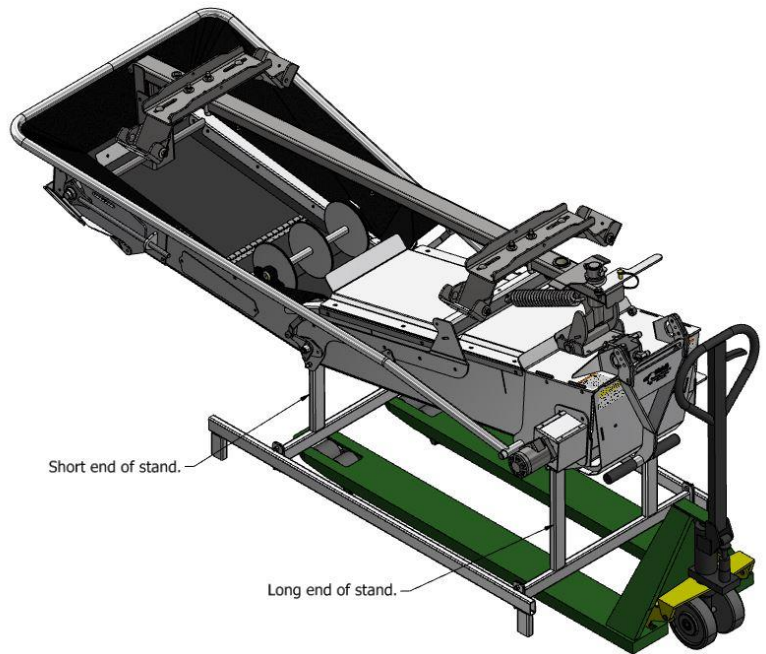
### Step 1

Remove the conveyor from the pallet and attach the installation/storage stand. Bolt the stand on using 3/8" x 1" bolts, 3/8" washers, and 3/8" Nylok Nuts. The short end of the stand will bolt to the middle of the conveyor.

The tall end gets bolted to the short side of the side rails and to the front of the conveyor.

### Step 2

You may need to move lights, air control box, or other things on the driver's side of the trailer to make clearance for the conveyor. The rear mud flaps located between the hoppers will have to be temporarily removed. They can be reinstalled at the end of seeding when the conveyor is removed from the trailer and put into storage.

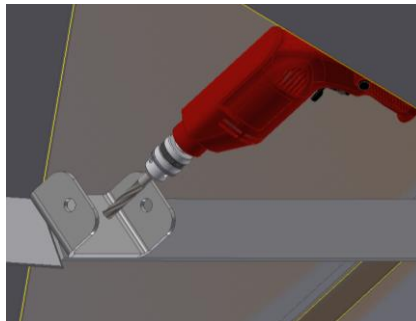
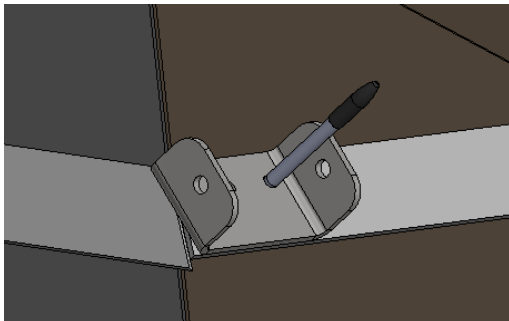


### Step 3

Park the trailer on a flat and level area, preferably inside of a shop on a cement floor. The easiest way to move the conveyor around is to use a pallet jack. Center the pallet jack from side to side under the stand. If a pallet jack is not available, it is possible to use forks on a front end loader or skid steer. Push the conveyor under the trailer so that it is close to being centered between the hoppers.

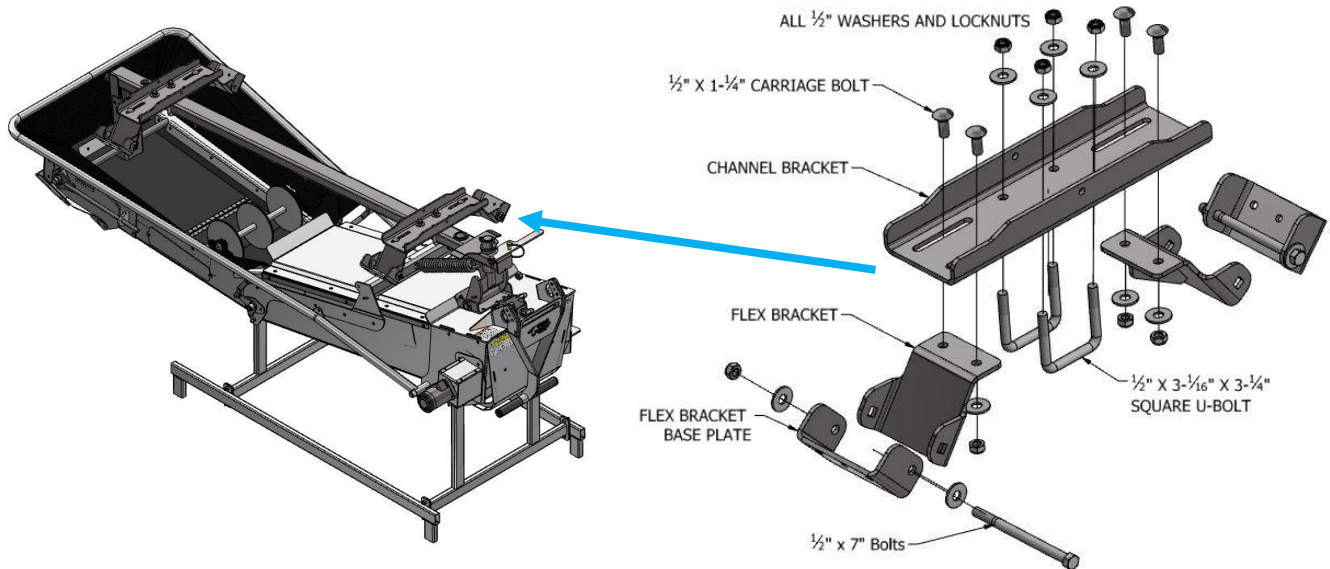
### Step 4

Mount all 4 Flex Bracket Base Plates to the hopper stiffener plates close to the corners as shown. Space the bracket down between 1/8" to 3/16". The holes in the bracket go to the top of the bracket. Drill the holes out to 3/8". Mount the brackets using 3/8" x 1-1/4" bolts, 3/8" washers, and 3/8" lock nuts.



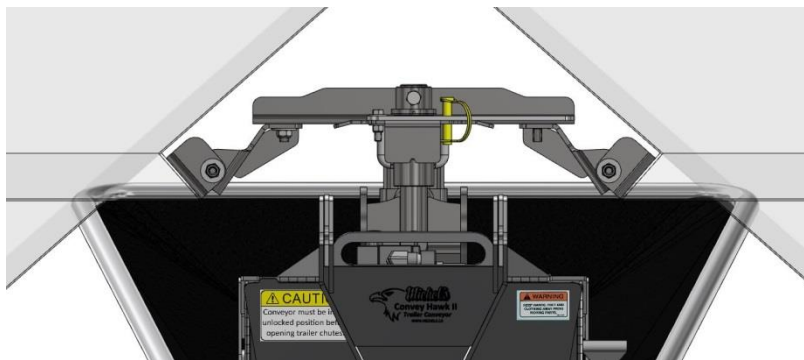
### Step 5

Loosely install all of the mounting hardware onto the conveyor. Use the supplied U-bolts to mount the Channel Bracket to the Fixed Frame. Leave these loose enough that they can be moved on the Fixed Frame. Use 1/2" x 1-1/4" carriage bolts, 1/2" x 7" bolts, 1/2" washers, and 1/2" lock nuts to secure the Flex Bracket and Flex Bracket Base Plate.



### Step 6

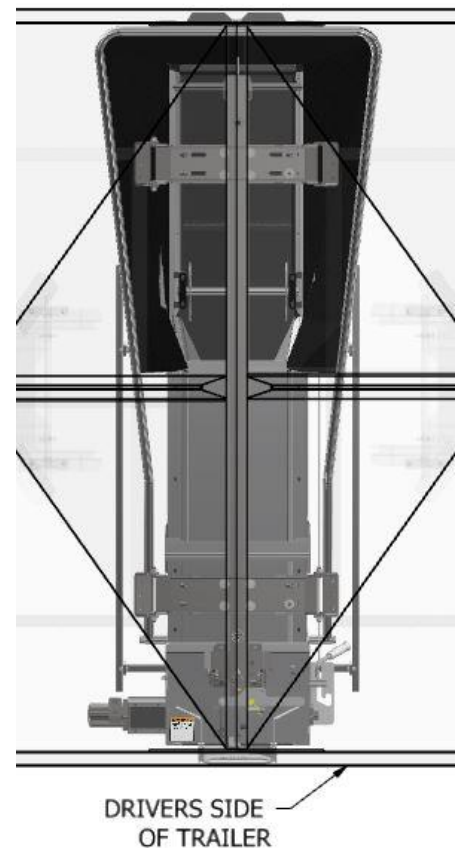
Position the conveyor in between the hoppers of the trailer. Line the Flex Bracket up with the Flex Bracket Base Plate and install the 1/2" carriage bolts loosely.



### Step 7

The mounting hardware that was sent with you trailer may look different from the pictures used here. That is because each trailer has mounting brackets that are custom designed for that particular trailer. The important part is to center the conveyor within the boundaries of the trailer front to back and left to right.

**Step 8** Once the trailer is in the proper position all of the mounting hardware can now be tightened.

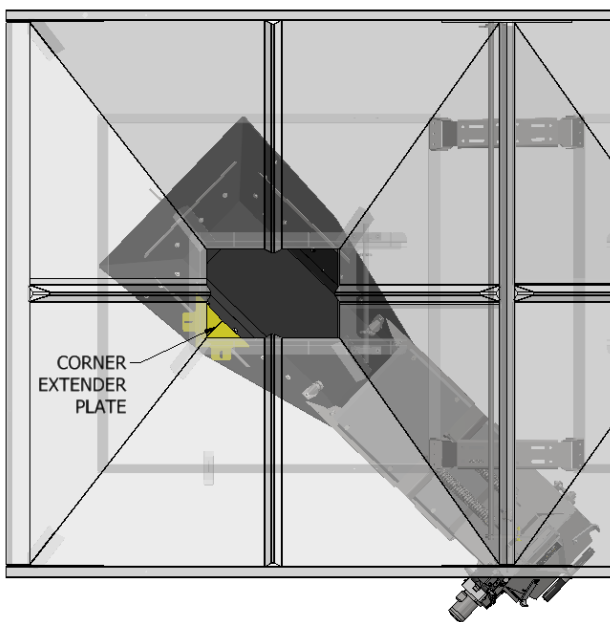


### Step 9

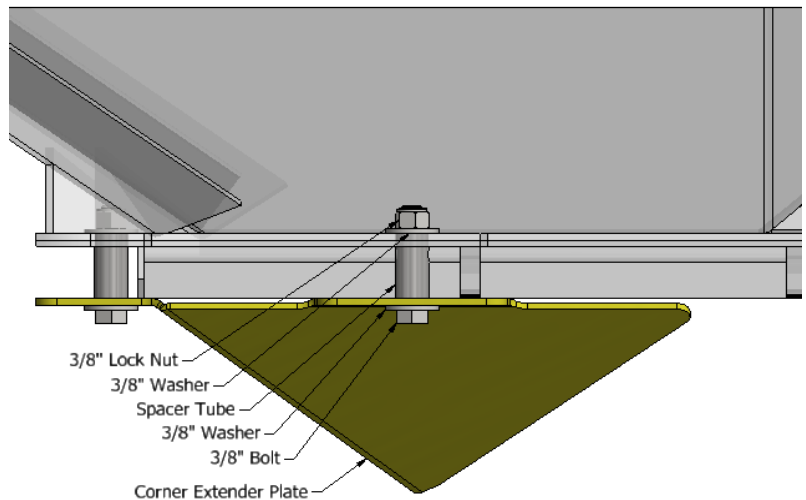
Once the conveyor is secured to the trailer the storage stand can be removed. It may be a good idea to store the rear mud flaps with the conveyor stand so they do not get lost.

### Step 10

Remove the Lock Pin from the release handle. While putting downward pressure on the handle of the conveyor pull on the release handle and lower the conveyor to the ground. Swing the conveyor to the front hopper. **Note: Not all trailers require the Extender Plates for proper operation.** Position the Corner Extender Plate in the location that will direct the product into the hopper of the conveyor. Drill 3/8" holes through the flange of the chute. Install the Corner Extender Plate with 3/8" bolts, washers, lock nuts, and the supplied spacer tube. Repeat for the rear hopper. It is also possible that the Corner Extender Plates will be more complex than shown below.

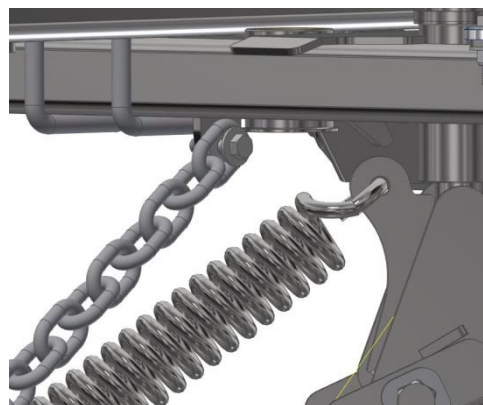
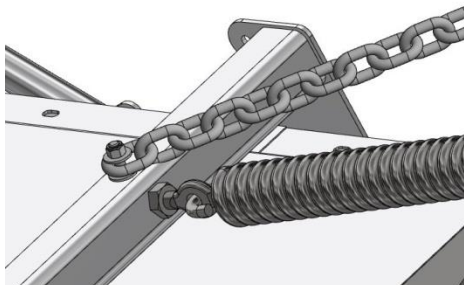


Driver's Side View of Front Hopper



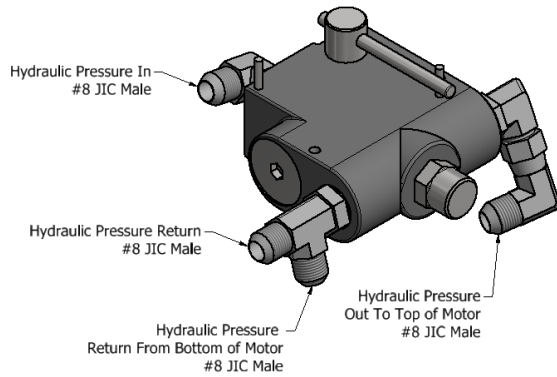
### Step 11

While the conveyor is in the front position, bolt the chain to the center of the Conveyor above the springs and onto the fixed frame. The chain is there to help position the conveyor in the correct location easily. Swing the conveyor to the rear of the hopper and make sure that the chain positions the conveyor in the correct place. Adjust chain if necessary.



### Step 12

Position the conveyor back under the front hopper. Install the hoses onto the hydraulic control block. The hoses require #8 JIC Female ends. Michel's recommends that the hoses have swivel ends on them. Then route the hoses to the front of the trailer or to the air seeder. Make sure that there is enough slack that the conveyor will swing both directions.



### Note:

Refer to the Operator and Parts Manual for general operation of your new Michel's Convey Hawk. If your Convey Hawk is equipped with a wireless remote, refer to the Wireless Operation and Instruction Manual that came with the remote.